

**STANLEY**  
Access Technologies

**M-FORCE™**  
(NEXT GENERATION MAGIC-FORCE™)

LOW ENERGY OPERATOR, AL FRAME, VISIBLE, LEFT HAND OUT

PROJECT INFORMATION

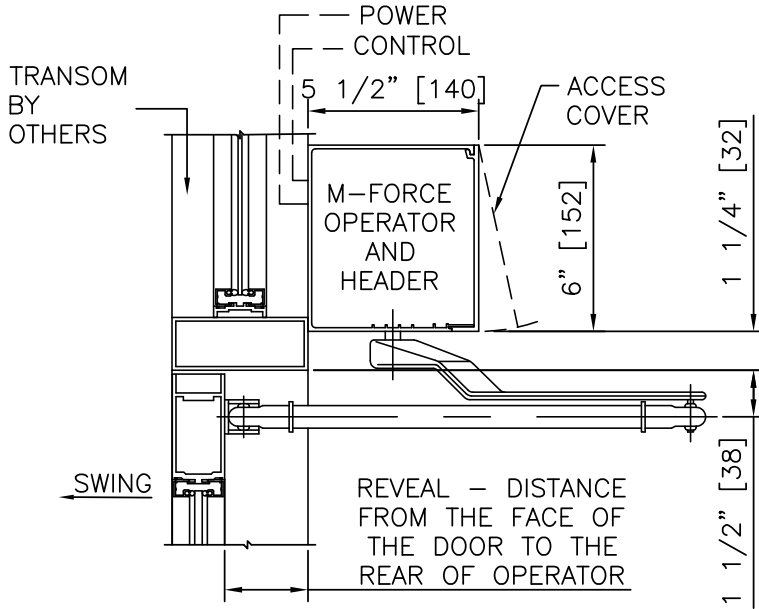
PROJECT NAME:

LOCATION:

DOOR NUMBER(S):

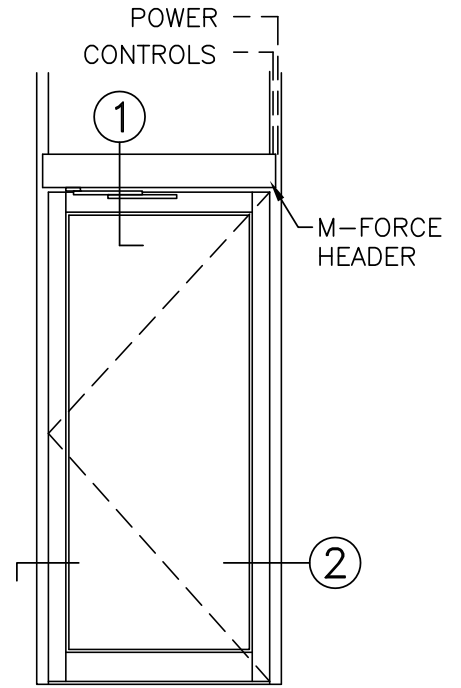
DATE:

SHEET: OF

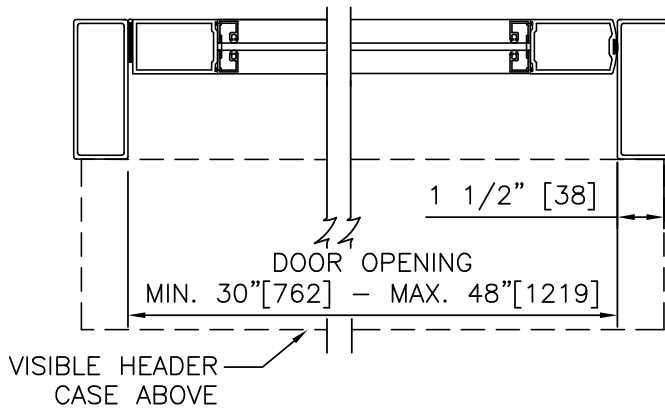


**VISIBLE "OUT"**

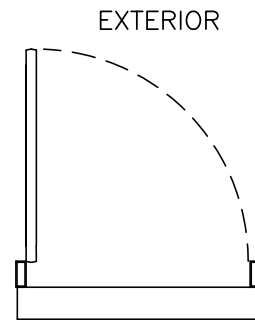
**1 VERTICAL SECTION**



**ELEVATION**



**2 HORIZONTAL SECTION**



**INTERIOR PLAN**

**NOTES**

1. DETAILS NOT TO SCALE.
2. ELECTRICAL REQUIREMENTS: BY ELECTRICAL CONTRACTOR
  - 2.1. 120 VAC, 5 AMP MIN TO OPERATOR.
  - 2.2. CONTROL CIRCUIT FROM ACTIVATION TO OPERATOR.
3. DOORS, FRAMES, AND HARDWARE BY OTHERS.
4. DOORS MUST BE UN-LATCHED FOR PROPER OPERATION. PROVIDE TIME DELAY RELAY WHEN REQUIRED FOR PROPER OPERATION.
5. OPERATOR AND INSTALLATION TO COMPLY WITH ANSI/BHMA A156.19.
6. SEE SPECIFICATIONS FOR ADDITIONAL INFORMATION.

**STANLEY**  
Access Technologies

**M-FORCE™**  
(NEXT GENERATION MAGIC-FORCE™)

LOW ENERGY OPERATOR, AL FRAME, VISIBLE, RIGHT HAND OUT

PROJECT INFORMATION

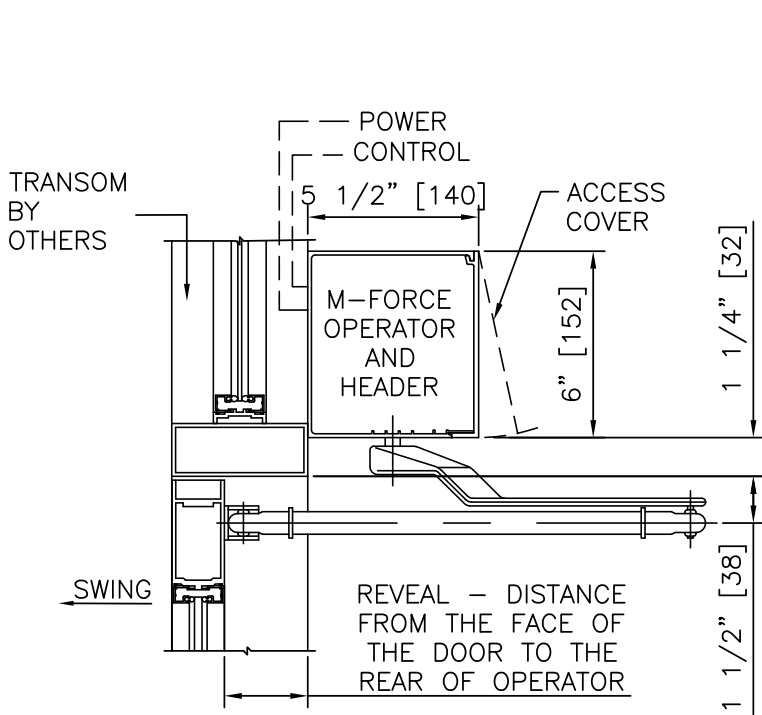
PROJECT NAME:

LOCATION:

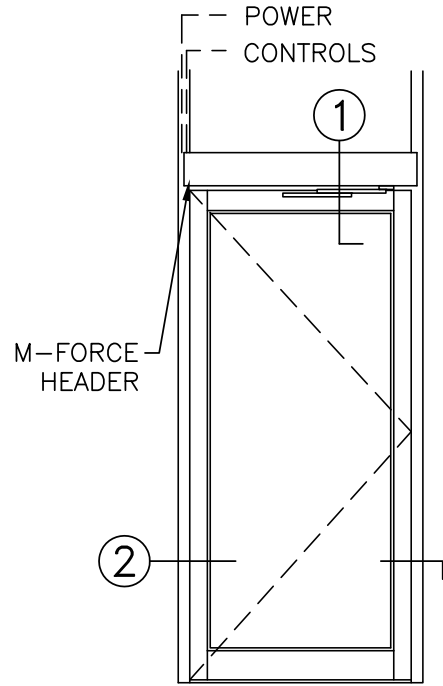
DOOR NUMBER(S):

DATE:

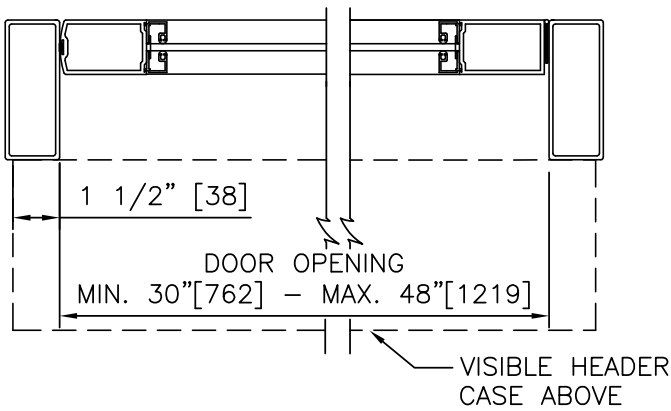
SHEET: OF



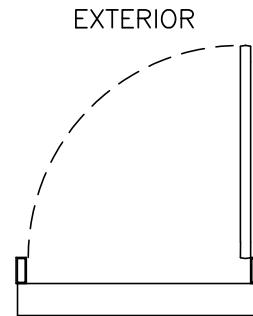
① VISIBLE "OUT" VERTICAL SECTION



ELEVATION



② HORIZONTAL SECTION



INTERIOR PLAN

NOTES

1. DETAILS NOT TO SCALE.
2. ELECTRICAL REQUIREMENTS: BY ELECTRICAL CONTRACTOR
  - 2.1. 120 VAC, 5 AMP MIN TO OPERATOR.
  - 2.2. CONTROL CIRCUIT FROM ACTIVATION TO OPERATOR.
3. DOORS, FRAMES, AND HARDWARE BY OTHERS.
4. DOORS MUST BE UN-LATCHED FOR PROPER OPERATION. PROVIDE TIME DELAY RELAY WHEN REQUIRED FOR PROPER OPERATION.
5. OPERATOR AND INSTALLATION TO COMPLY WITH ANSI/BHMA A156.19.
6. SEE SPECIFICATIONS FOR ADDITIONAL INFORMATION.

**STANLEY**  
Access Technologies

**M-FORCE™**  
(NEXT GENERATION MAGIC-FORCE™)

LOW ENERGY OPERATOR, AL FRAME, VISIBLE, PAIR OUT

PROJECT INFORMATION

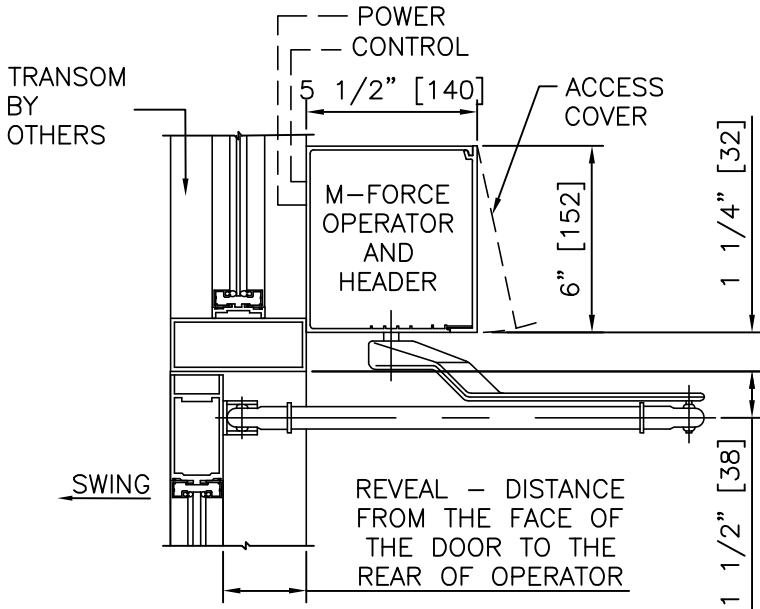
PROJECT NAME:

LOCATION:

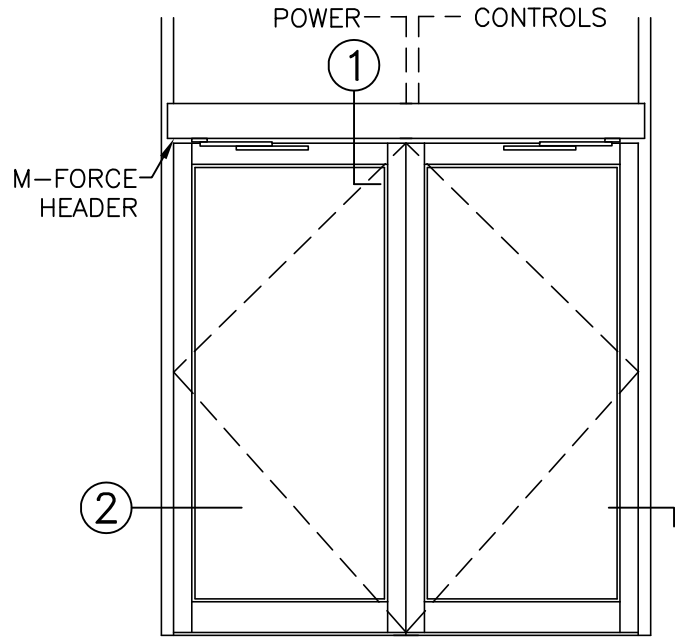
DOOR NUMBER(S):

DATE:

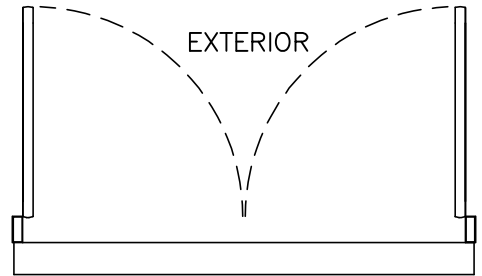
SHEET: OF



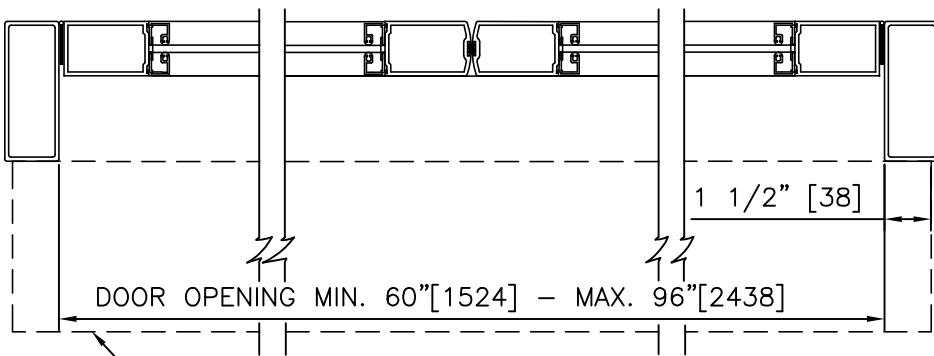
**1 VERTICAL SECTION**



**ELEVATION**



**INTERIOR PLAN**



**2 HORIZONTAL SECTION**

**NOTES**

1. DETAILS NOT TO SCALE.
2. ELECTRICAL REQUIREMENTS: BY ELECTRICAL CONTRACTOR
  - 2.1. 120 VAC, 5 AMP MIN TO OPERATOR.
  - 2.2. CONTROL CIRCUIT FROM ACTIVATION TO OPERATOR.
3. DOORS, FRAMES, AND HARDWARE BY OTHERS.
4. DOORS MUST BE UN-LATCHED FOR PROPER OPERATION. PROVIDE TIME DELAY RELAY WHEN REQUIRED FOR PROPER OPERATION.
5. OPERATOR AND INSTALLATION TO COMPLY WITH ANSI/BHMA A156.19.
6. SEE SPECIFICATIONS FOR ADDITIONAL INFORMATION.



**STANLEY**  
Access Technologies  
Part of the Allegion family of brands

**Note:** Please ensure that POs, contracts, payments, and other legal documents are issued to **Allegion Access Technologies LLC**.

## **Custom Quote**

Quote Number: Q-159801

Sommet Blanc Ski- Auto Operators and Auto Sliders

### **Created For**

Aspen Group USA

4/9/2024

Aspen Group USA  
185 Aspen Drive  
Park City, UT 84098  
Phone: (435) 640-5603  
Attn: Alec Paden  
Senior Analyst  
Email: apadan@aspengroupusa.com

Libby Crapo  
Territory Manager

**Quotation:** Q-159801  
Sommet Blanc Ski- Auto Operators and  
Auto Sliders

Salt Lake City Branch  
14918 South Concord Park Dr  
Bluffdale, UT 84065  
Phone: 801-838-9519  
Mobile: 385-253-2253 or 801-856-9898  
Email: libby.crapo@allegion.com

9 April, 2024

**Note:** Please ensure that POs, contracts, payments, and other legal documents are issued to **Allegion Access Technologies LLC**.

Allegion Access Technologies LLC is pleased to provide you a quotation to Furnish and Install the following:

**Product Summary:**

- 4 - DG2000BP, No Transoms, Dark Bronze Anodized Aluminum Finish
- 4 - Stanley Universal Magic Force Single Low Energy Operators
- 3 - Stanley Universal Magic Force Dual (Pair) Low Energy Operators

**Net Price: USD 78,900.00**

**Scope of Work**

Furnish and Install:

4 - STANLEY D/G 2000 Automatic Sliding Door Packages (O-SX-SX-O), Door A137 108.5" x 116.5", Door A138 100.5" x 116.5", Door B120 109.750" x 115.5", Door B134 139" x 106.5", No Transoms, Narrow Stiles, 10" Bottom Rails, 2" Horizontal Muntins, 6" Continuous Double Bevel Thresholds (Verify), Best Lock Cylinders (Keyed/Thumbturn), 1" Glass Prep (Door B134 and 138A) 1/4" Glass Prep (Door B120 and 137A), Keyed Switch Controls, DARK BRONZE ANODIZED Finish.

\*\*\*Please Note: The auto door header height of 92" is the industry's standard height for heavy-duty auto sliding door packages.\*\*\*

**NOTES:**

All Security Equipment [Card Readers, Electric Strikes, Electric Panic Devices, Power Supplies, Control Wiring, etc.] is BY OTHERS.

\*All Door Sizes and Hardware need to be Verified before approval.

Delegated Design is specifically excluded from all of our proposals due to the fact that we have to reach out to a third party engineering firm with EXACT door configurations and those are not always known at bid time. Also, the timeframe to get a Delegated Design proposal is approx. One (1) week from request and is only held for a short period of time. Therefore – if Delegated Design is a requirement it will need to be a separate change order after the job is awarded and the door configurations and quantity is confirmed.

EMAIL PROVIDED BY CLIENT (LIMITED SPECS AND DRAWINGS). THIS BID IS BASED ON INFORMATION PROVIDED AND/OR IF THERE ARE CONFLICTING SPECS/DRAWINGS. IF ANY ITEMS ARE NEEDED THAT ARE NOT LISTED IN THE SCOPE OF WORK – THERE WILL BE AN ADD TO THIS PROPOSAL.

THIS QUOTE PRICE IS VALID FOR 90 DAYS FROM THE QUOTE DATE. IF SIGNED AFTER 90 DAYS THE PROPOSAL WILL NEED TO BE REVISED.

If you would like to pay by Credit Card, please contact us at 1(800) 722-2377 Ext. 4.  
We accept the following Credit Cards:





Aspen Group USA  
185 Aspen Drive  
Park City, UT 84098  
Phone: (435) 640-5603  
Attn: Alec Paden  
Senior Analyst  
Email: apadan@aspengroupusa.com

Libby Crapo  
Territory Manager

**Quotation:** Q-159801  
Sommet Blanc Ski- Auto Operators and  
Auto Sliders

Salt Lake City Branch  
14918 South Concord Park Dr  
Bluffdale, UT 84065  
Phone: 801-838-9519  
Mobile: 385-253-2253 or 801-856-9898  
Email: libby.crapo@allegion.com

**Furnish and Install:**

3 – Pair, Universal Stanley M-Force Low Energy/Full Energy heavy duty door operators (low energy operation) Doors 130A, 130B, and B136.

4 – Single, Universal Stanley M-Force Low Energy/Full Energy heavy duty door operators (low energy operation) Doors A133, B133, C002A, and C002B.

**Features:**

- 7 - Stainless Steel, Push Plate Kits.
- 7 - BR3 Relay Logic Modules for security interface.

Microprocessor controlled: Features - "Watchdog" LED, Life Cycle Data Counter.  
Electro-mechanical operator, 3/16 HP DC motor - (Requires 120VAC, 5 amps min. by others).  
Split Force Path - Abusive forces applied to door shall bypass motor and gear train.  
Push-and-go - Field selectable "MAGIC-TOUCH" feature will allow door to open upon push or pull.  
Manual Use - The door operator shall function as a manual closer without electrical power.  
Header Case - Shall be 5 1/2" wide by 6" high extruded aluminum (min. 0.156" wall thickness).

Aluminum finish shall be clear anodized.

All Security Equipment [Card Readers, Electric Strikes, Electric Panic Devices, Power Supplies, Control Wiring, etc.] is BY OTHERS.

**NOTES:**

THIS PRICE INCLUDES ONE TRIP FOR THE INSTALLATION. IF THESE DOOR OPERATORS ARE TIED INTO ANY ACCESS CONTROL (BY OTHERS) ANY RETURN TRIPS THAT ARE NEEDED WILL REQUIRE A CHANGE ORDER TO COVER TRAVEL COSTS.

EMAIL PROVIDED BY CLIENT (LIMITED SPECS AND DRAWINGS). THIS BID IS BASED ON INFORMATION PROVIDED AND/OR IF THERE ARE CONFLICTING SPECS/DRAWINGS. IF ANY ITEMS ARE NEEDED THAT ARE NOT LISTED IN THE SCOPE OF WORK – THERE WILL BE AN ADD TO THIS PROPOSAL.

THIS QUOTE PRICE IS VALID FOR 90 DAYS FROM THE QUOTE DATE. IF SIGNED AFTER 90 DAYS THE PROPOSAL WILL NEED TO BE REVISED.

**Lead Time:** Current equipment lead time is 12-14 weeks from receipt of order and approved shop drawings. Equipment is furnished and installed during normal business hours (8:00 AM - 4:30 PM, Mon - Fri).

If you would like to pay by Credit Card, please contact us at 1(800) 722-2377 Ext. 4.  
We accept the following Credit Cards:



Aspen Group USA  
185 Aspen Drive  
Park City, UT 84098  
Phone: (435) 640-5603  
Attn: Alec Paden  
Senior Analyst  
Email: apadan@aspengroupusa.com

Libby Crapo  
Territory Manager

**Quotation:** Q-159801  
Sommet Blanc Ski- Auto Operators and  
Auto Sliders

Salt Lake City Branch  
14918 South Concord Park Dr  
Bluffdale, UT 84065  
Phone: 801-838-9519  
Mobile: 385-253-2253 or 801-856-9898  
Email: libby.crapo@allegion.com

**Warranty:** 1 year parts and labor. During normal business hours Mon - Fri 8:00 AM - 4:30 PM

#### Inclusions

- Push Plate Bollards.
- Push plates (Wireless).
- Radio receivers
- Door operator installation.
- Door package installation.

#### Exclusions

- Delegated Design
- Structural Review (no seismic review)
- 120 volts AC to inside auto door header 5 amp min.
- Cleaning and protection of installed material.
- Permits & Inspections.
- Prevailing Wage and/or Certified Payroll.
- Back boxes & low voltage wiring from any control to inside auto door header.
- Doors, frames & associated hardware.
- Structural support / wood blocking for swing headers
- Perimeter structural support / wood blocking for sliding door packages.
- Painting, patching & flooring work.
- Preparation of rough opening.
- Glass & Glazing
- Caulking
- Break metal
- After hours premium labor
- Union Labor

If you would like to pay by Credit Card, please contact us at 1(800) 722-2377 Ext. 4.  
We accept the following Credit Cards:





Aspen Group USA  
185 Aspen Drive  
Park City, UT 84098  
Phone: (435) 640-5603  
Attn: Alec Paden  
Senior Analyst  
Email: apadan@aspengroupusa.com

Libby Crapo  
Territory Manager  
  
**Quotation:** Q-159801  
Sommet Blanc Ski- Auto Operators and  
Auto Sliders

Salt Lake City Branch  
14918 South Concord Park Dr  
Bluffdale, UT 84065  
Phone: 801-838-9519  
Mobile: 385-253-2253 or 801-856-9898  
Email: libby.crapo@allegion.com

**Conditions:**

Acceptance of this quotation / proposal by the purchasing unit shall constitute an order and is a contract for the purchase of the articles and services described therein on the terms outlined herein. Additional or different terms applicable to a sale may be specified in the body of a Allegion Access Technologies LLC (hereinafter " Company ") document or agreed to in writing by the parties.

- 1 Payment by purchaser to the Company shall be Net 30 days from date of invoice, subject only to contract termination by the Company in the event of an adverse credit decision by the Company's Credit Department. Late payments are subject to a charge equal to 1.5% per month of the amount outstanding or the maximum allowed by law, whichever is less.
- 2 Payment is not contingent upon purchaser's receipt of moneys from owner or any other source.
- 3 The following shall represent events of default by purchaser in the terms of this contract: non-payment in accordance with the terms set out herein, cancellation of this order by purchaser or refusal by purchaser or its agent to accept delivery of goods from the Company.
- 4 In the event of default by purchaser, purchaser agrees to pay the Company the contract price for all work completed by the Company to the date of default or cancellation as well as all of the Company's costs and expenses incurred in enforcing the terms of this contract including, but not limited to a reasonable attorney's fee, collection and court costs.
- 5 Except for purchaser's payment obligations, neither party shall be liable for any failure under this agreement due to acts of nature, earthquake or storm; failure of public utilities or common carriers; or any other causes beyond the reasonable control of the affected party.
- 6 Unless accepted by purchaser, this quotation shall expire ninety days from the date hereof.
- 7 Sales tax, if applicable, is not included in this Quotation.
- 8 The Warranty as outlined in the Quotation will not apply if the products: (1) have been altered, except by the Company; (2) have not been installed, operated, repaired, or maintained in accordance with instructions supplied by the Company; or (3) have been subjected to abnormal physical or electrical stress, misuse, negligence, accident, or catastrophe.
- 9 Any dispute, controversy or claim arising out of or relating to this Agreement or the breach, termination, or invalidity of it shall be submitted to final and binding arbitration as the sole and exclusive remedy for such controversy or dispute, provided, however that the Company may commence action against you in a court of law for infringement of the Company's intellectual property rights or default in any payment obligation. This Contract will be governed in accordance with the laws of the state where the premises at which the Company performs the Work or provides Services is located, without regard to choice of law principles.

**This document is a contract. I affirm that I have the authority to sign this contract and this is my acceptance of this Quotation as well as my authorization to proceed with the above stated work at the price of \$ \_\_\_\_\_, plus applicable sales tax.**

**Signature:** \_\_\_\_\_ **Title:** \_\_\_\_\_

**Name (Print):** \_\_\_\_\_ **Date:** \_\_\_\_\_

**Ref#:** \_\_\_\_\_

**Note:** *Please ensure that POs, contracts, payments, and other legal documents are issued to Allegion Access Technologies LLC.*

If you would like to pay by Credit Card, please contact us at 1(800) 722-2377 Ext. 4.  
We accept the following Credit Cards:

