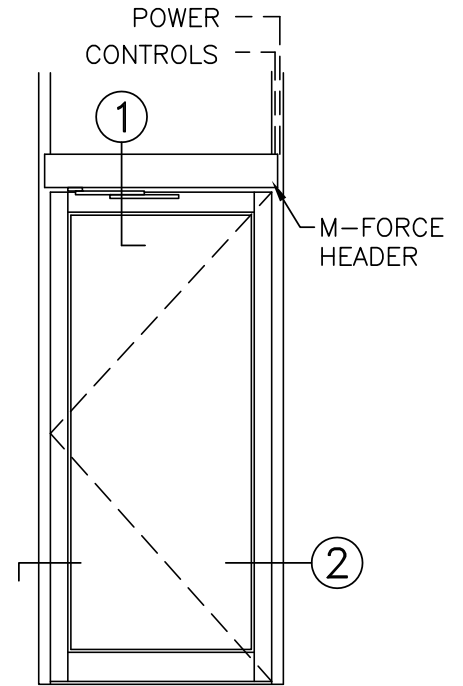
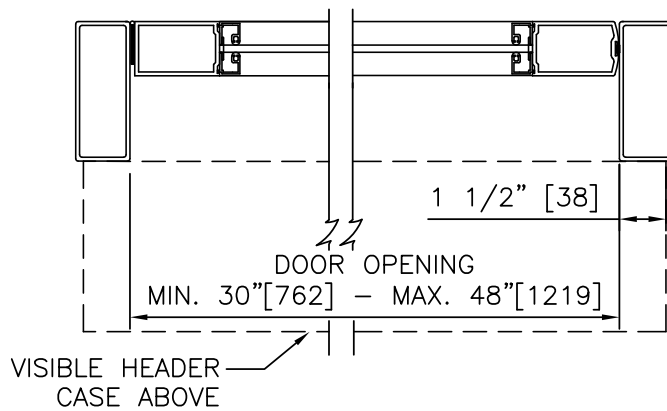


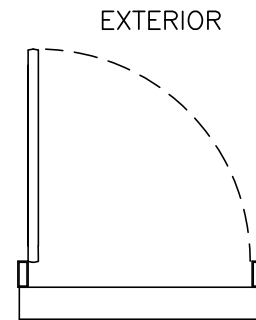
**1 VERTICAL SECTION**



**ELEVATION**



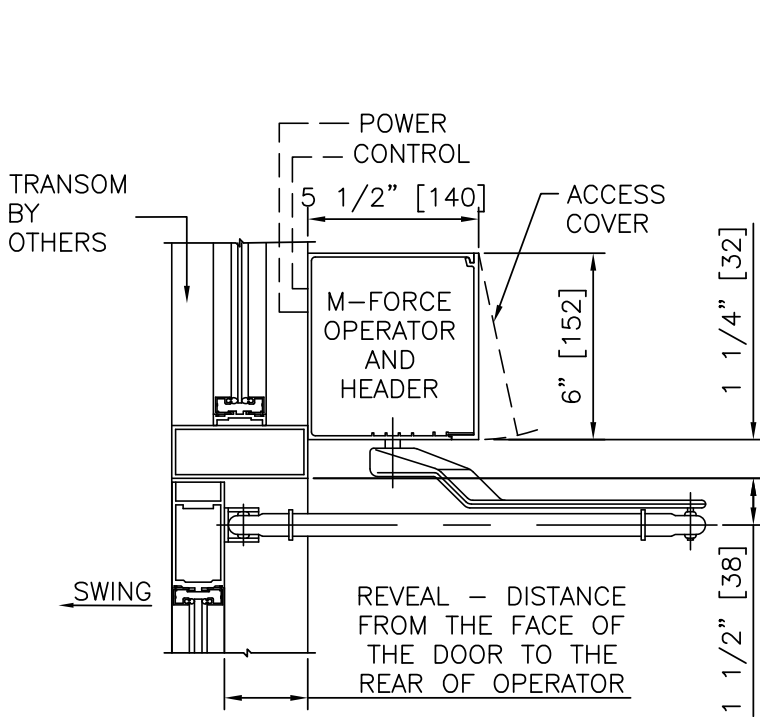
**2 HORIZONTAL SECTION**



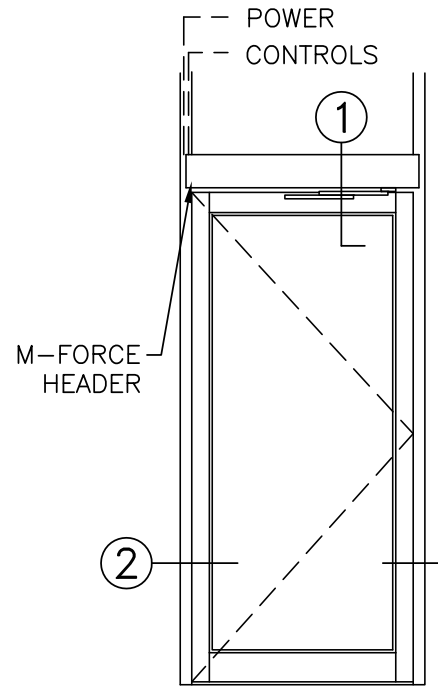
**INTERIOR PLAN**

**NOTES**

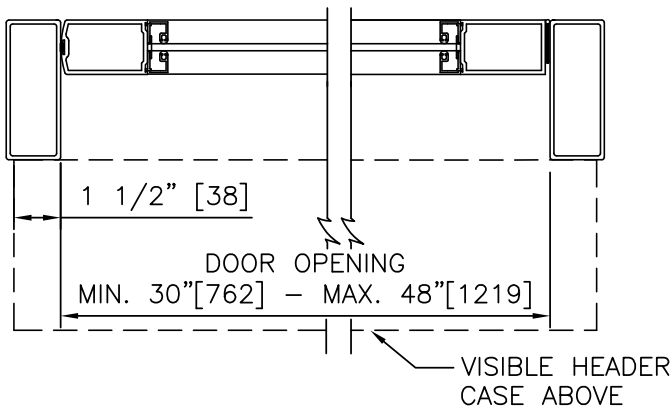
1. DETAILS NOT TO SCALE.
2. ELECTRICAL REQUIREMENTS: BY ELECTRICAL CONTRACTOR
  - 2.1. 120 VAC, 5 AMP MIN TO OPERATOR.
  - 2.2. CONTROL CIRCUIT FROM ACTIVATION TO OPERATOR.
3. DOORS, FRAMES, AND HARDWARE BY OTHERS.
4. DOORS MUST BE UN-LATCHED FOR PROPER OPERATION. PROVIDE TIME DELAY RELAY WHEN REQUIRED FOR PROPER OPERATION.
5. OPERATOR AND INSTALLATION TO COMPLY WITH ANSI/BHMA A156.19.
6. SEE SPECIFICATIONS FOR ADDITIONAL INFORMATION.



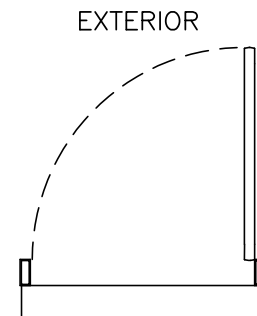
① VISIBLE "OUT" VERTICAL SECTION



ELEVATION



② HORIZONTAL SECTION



INTERIOR PLAN

NOTES

1. DETAILS NOT TO SCALE.
2. ELECTRICAL REQUIREMENTS: BY ELECTRICAL CONTRACTOR
  - 2.1. 120 VAC, 5 AMP MIN TO OPERATOR.
  - 2.2. CONTROL CIRCUIT FROM ACTIVATION TO OPERATOR.
3. DOORS, FRAMES, AND HARDWARE BY OTHERS.
4. DOORS MUST BE UN-LATCHED FOR PROPER OPERATION. PROVIDE TIME DELAY RELAY WHEN REQUIRED FOR PROPER OPERATION.
5. OPERATOR AND INSTALLATION TO COMPLY WITH ANSI/BHMA A156.19.
6. SEE SPECIFICATIONS FOR ADDITIONAL INFORMATION.