

100 South Jordan St. Salt Lake City, UT 84143
Seattle, Washington 98104 USA
+1 206 834 4870 olsonkundig.com

Olson Kundig

SOMMET BLANC
5500 MARSHAC AVE
PARK CITY, UT 84000



Aspen Group USA, LLC
PO Box 990022
Park City, Utah 84098

Pool Consultant
Cloward H2O
2006 N University Ave, Suite 290
Provo, UT 84604

Landscape Architect
EPO Design
6949 South High Tech Drive, Suite 100
Midvale, Utah 84047

Specifications Writer
Friday Group
88 Main Street
Middlebury, VT

Code Consultant
Holmes
800 1st Avenue, Suite 200A
Seattle, WA 98104

Fire Protection Engineer
Armen Hughes
One Research Drive, Suite 305C
Westborough, MA 01581

Vertical Transportation Consultant
Lorch Bates
195 15 North Creek Parkway, Suite 304
Scottdale, WA 98011

Structural Engineer
Magnuson Hancock Associates
1301 5th Ave, Suite 3200
Seattle, WA 98101

Lighting Designer
1319 SE MLK Blvd, Suite 210
Portland, Oregon 97219

Building Envelope Consultant
RHM
2101 N 34th St
Seattle, WA 98103

Accessibility Consultant
Studio Pacifica
2144 Westlake Ave N, Suite F
Seattle, WA 98109

MEP Engineer
WSP USA
1001 Fourth Ave., Suite 3100
Seattle, WA 98154

principal architect: TK, KM
project manager: TM, B, SL, MD
drawn by: SK, SS, JL, CP, EA
JF, BD

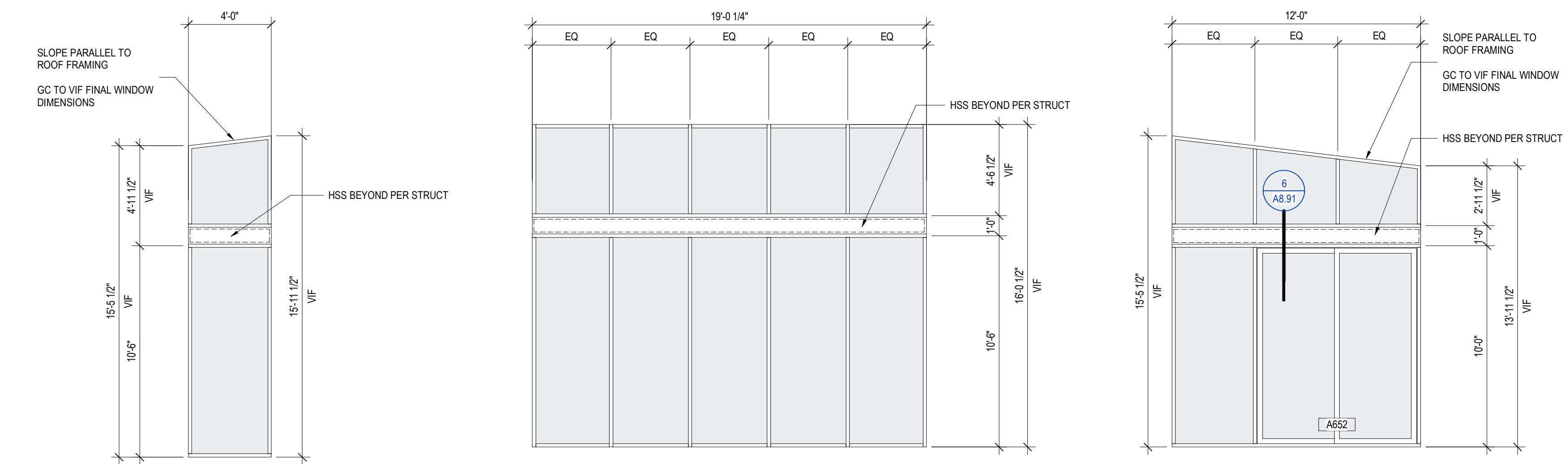
checked by: JB
job no.: 20052
date: 05/17/2024

revisions:

no. date by

IFC SET 2 OF 3
05/17/2024

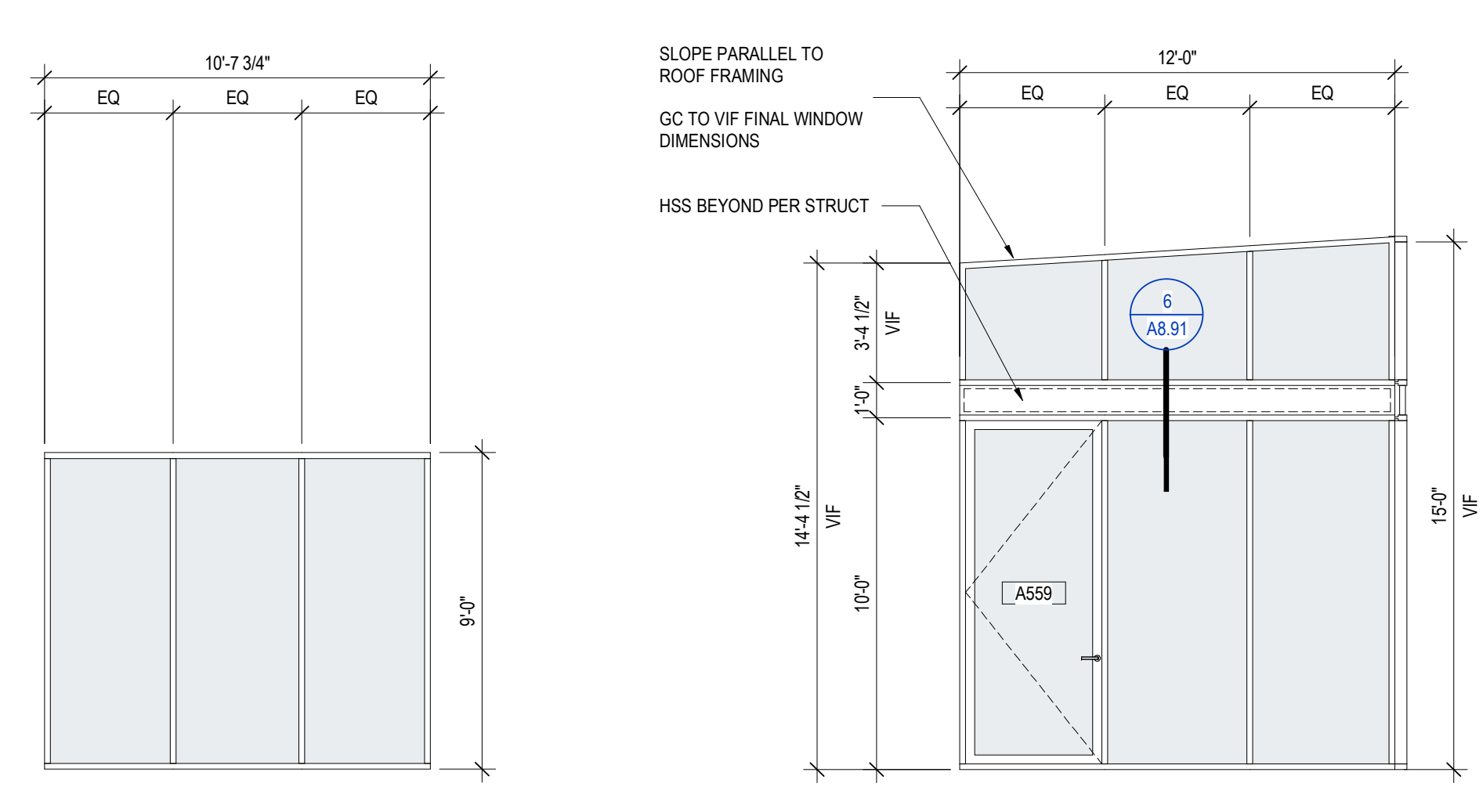
WINDOW TYPES - A
A0.74



17 W-AR
SCALE: 1/4" = 1'-0"

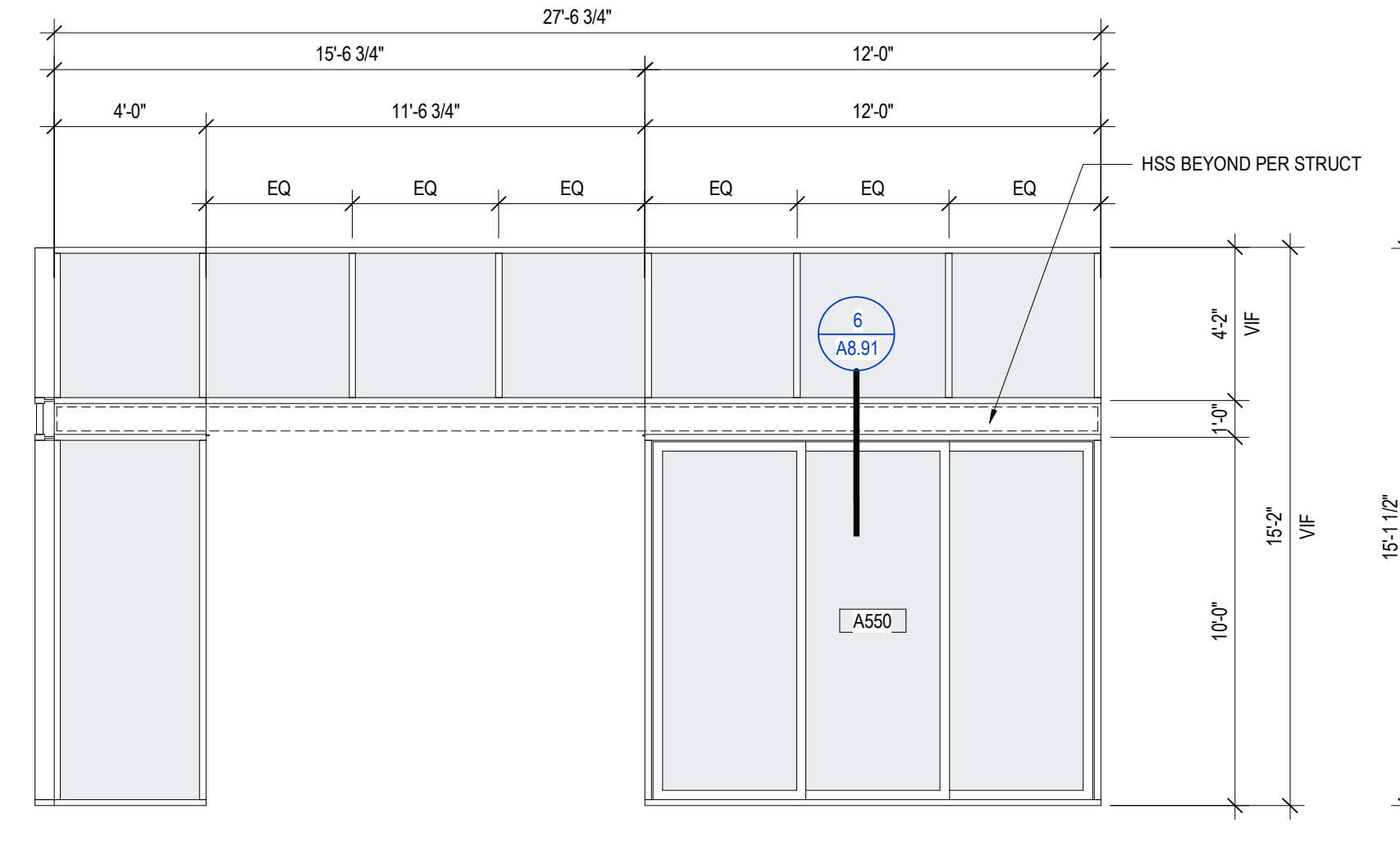
16 W-AQ
SCALE: 1/4" = 1'-0"

15 W-AP
SCALE: 1/4" = 1'-0"

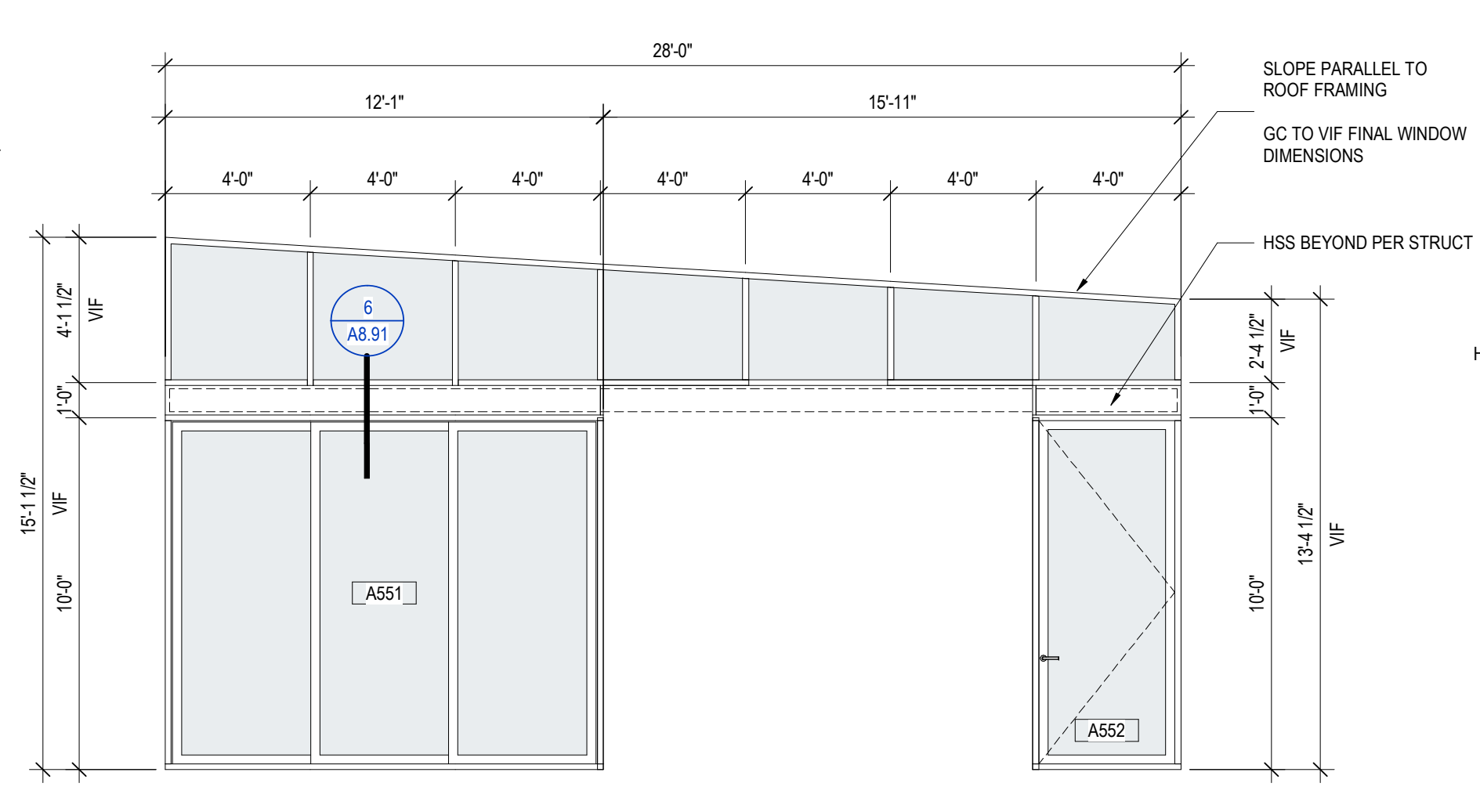


14 W-AO
SCALE: 1/4" = 1'-0"

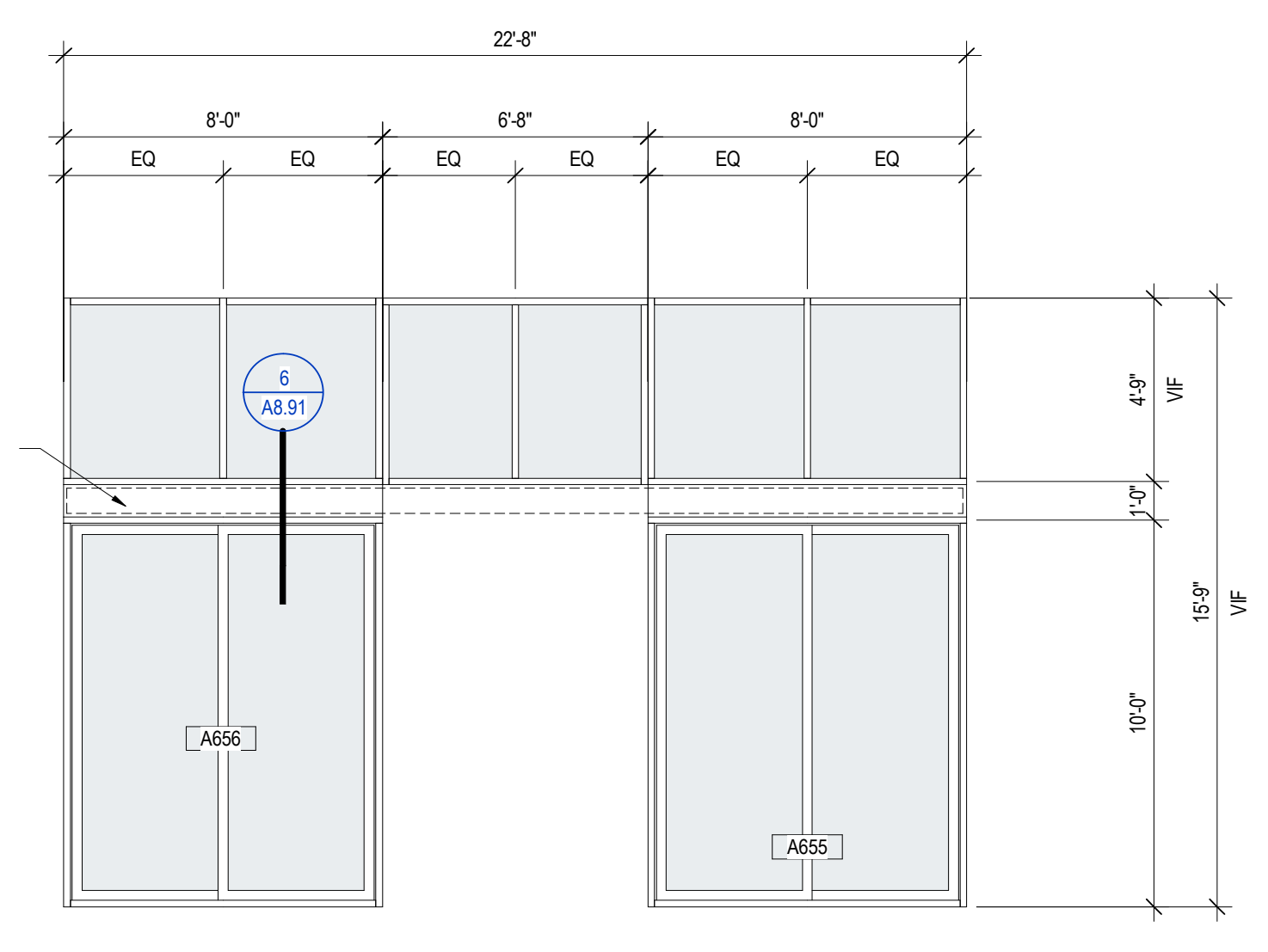
13 W-AN
SCALE: 1/4" = 1'-0"



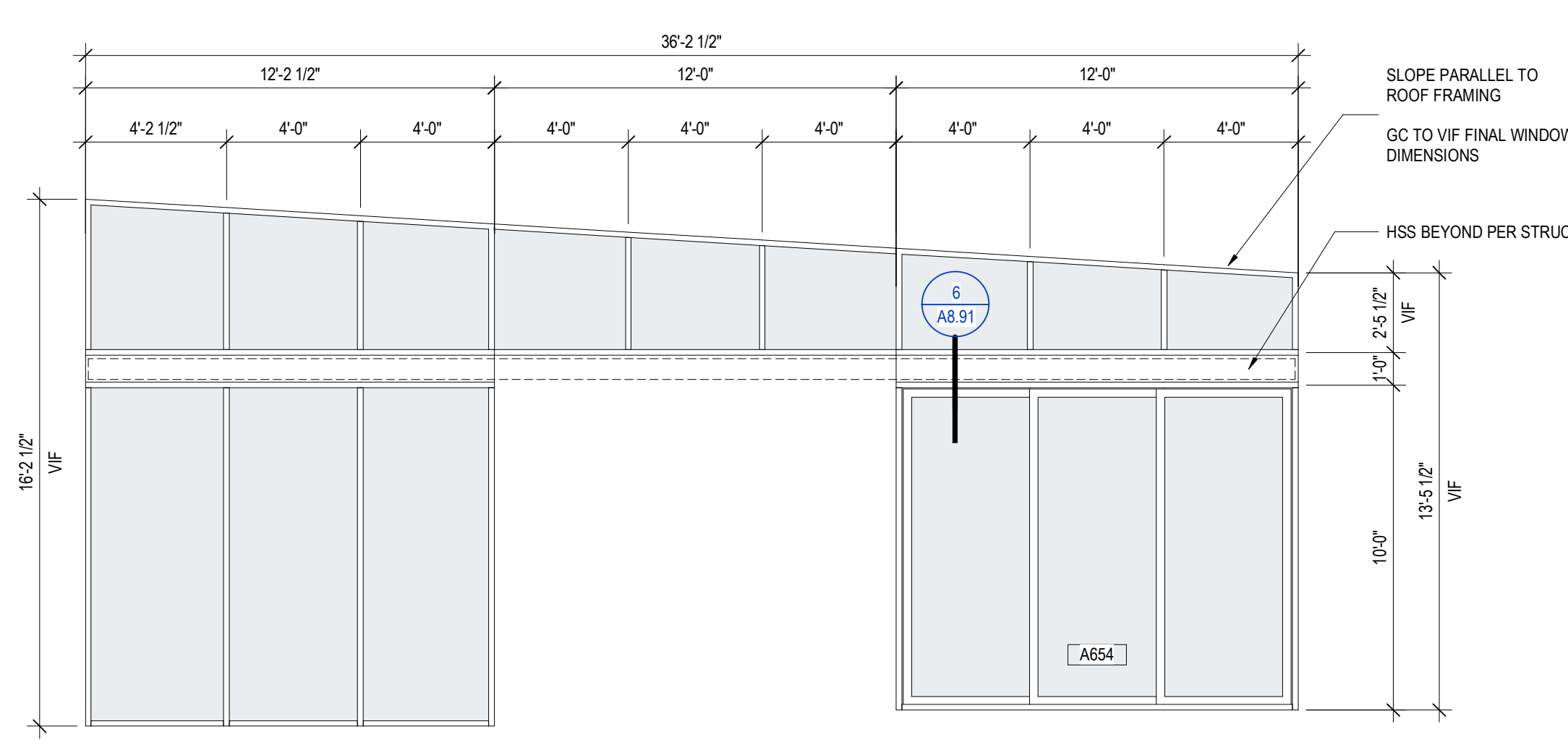
11 W-AL
SCALE: 1/4" = 1'-0"



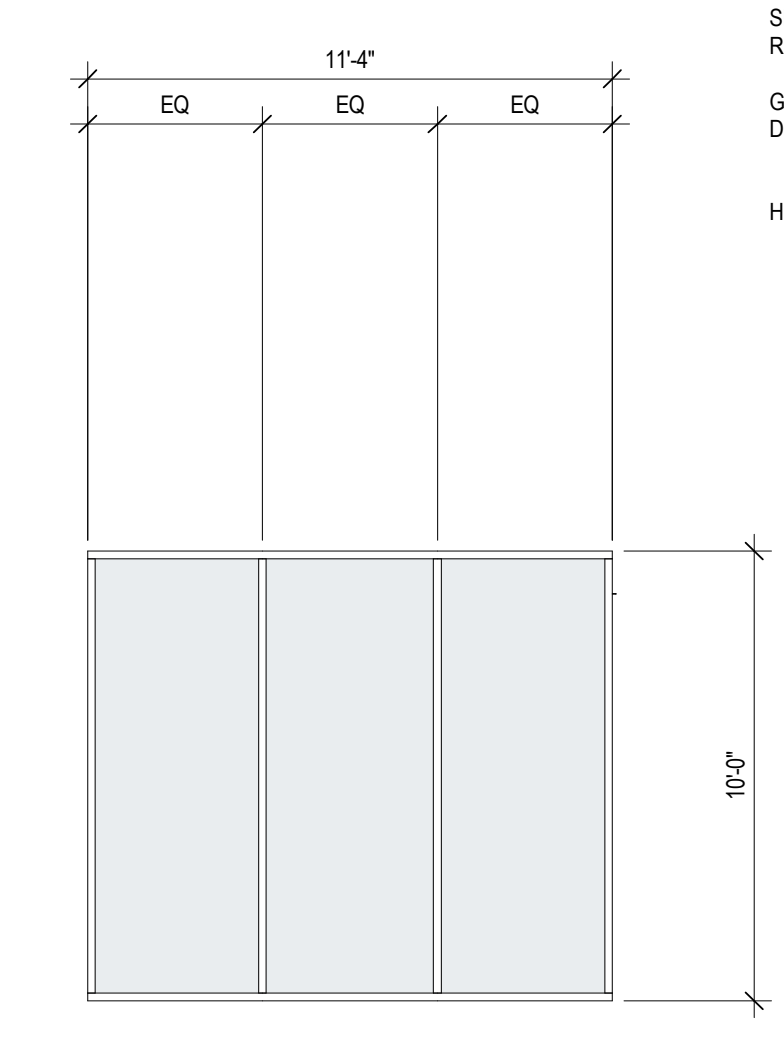
10 W-AK
SCALE: 1/4" = 1'-0"



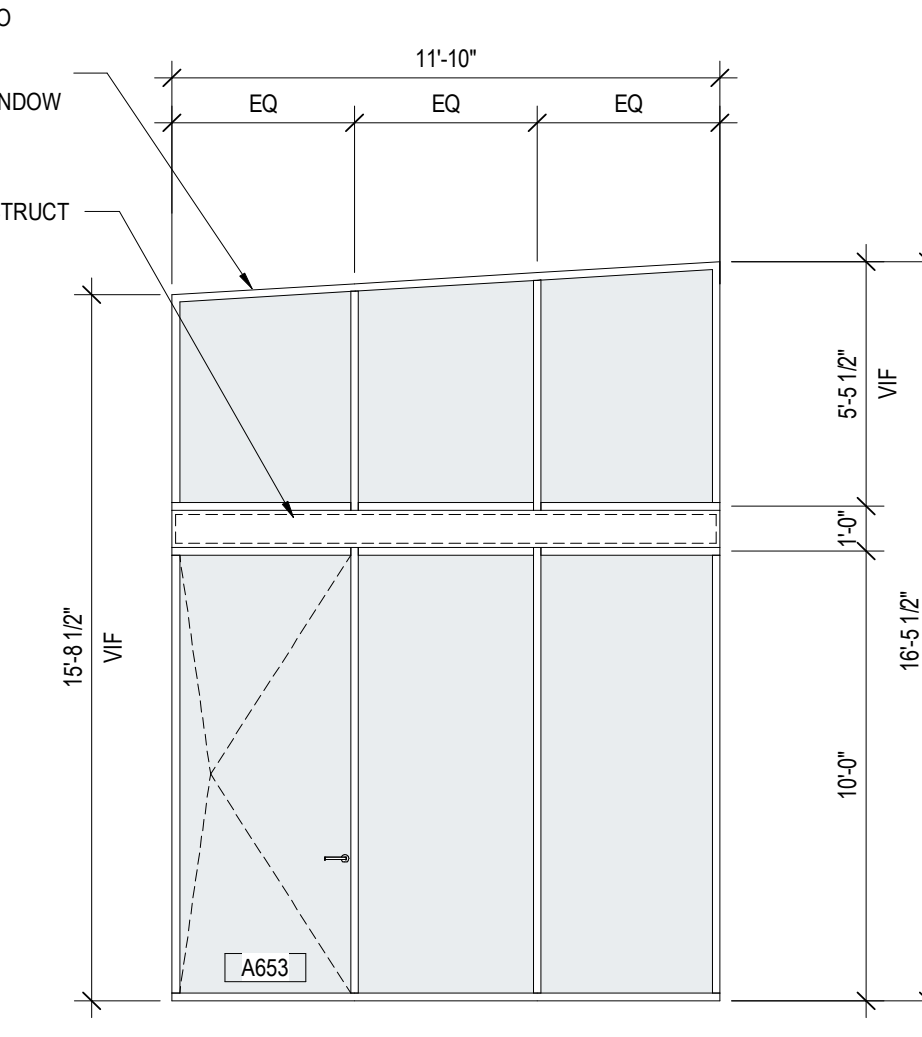
8 W-AJ
SCALE: 1/4" = 1'-0"



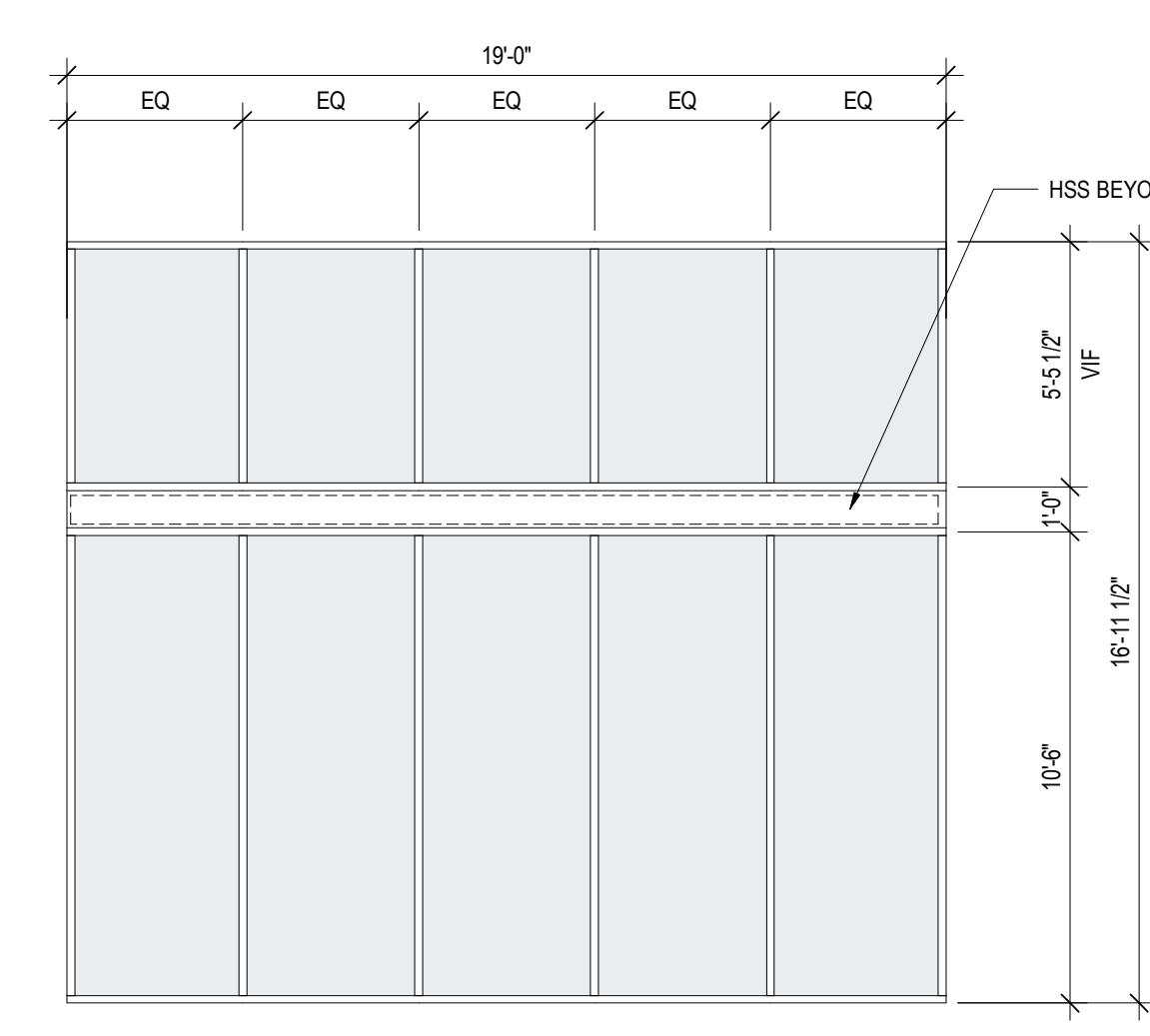
7 W-AH
SCALE: 1/4" = 1'-0"



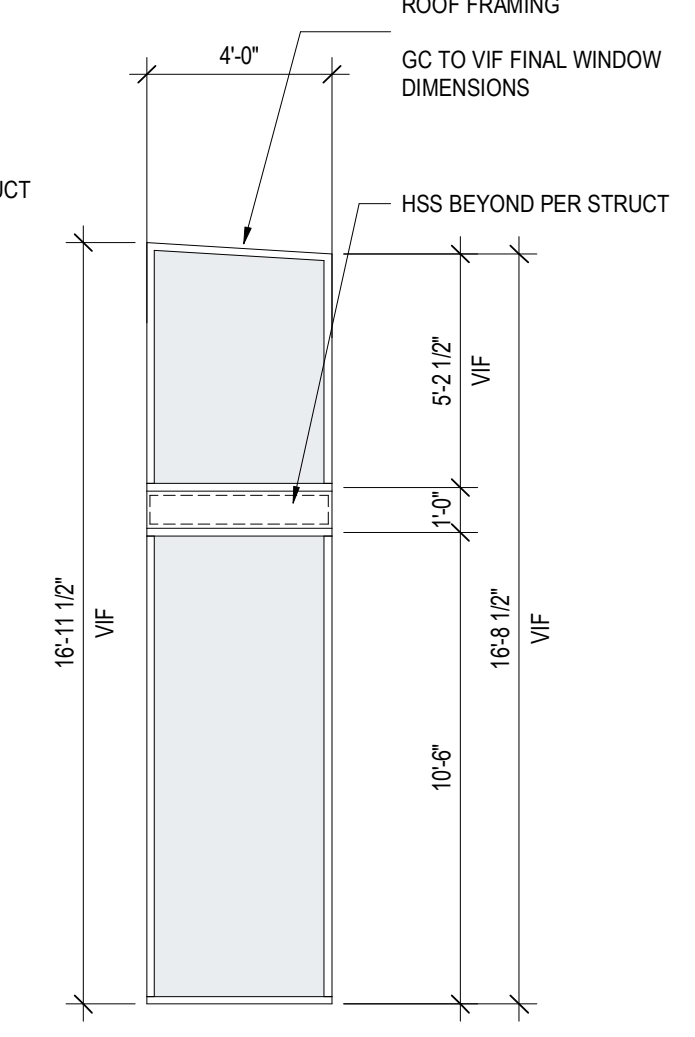
6 W-AG
SCALE: 1/4" = 1'-0"



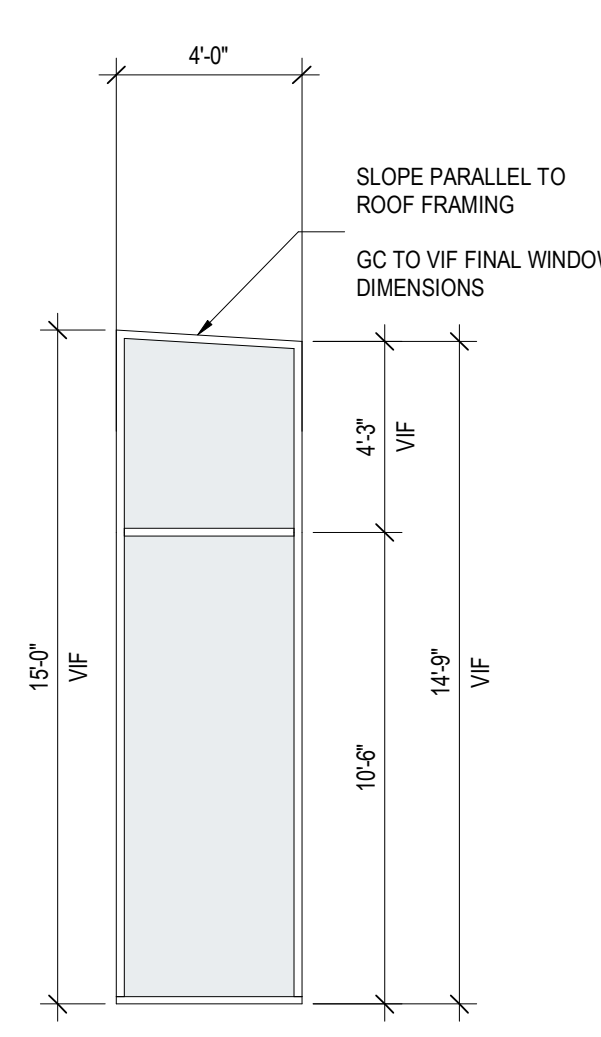
5 W-AF
SCALE: 1/4" = 1'-0"



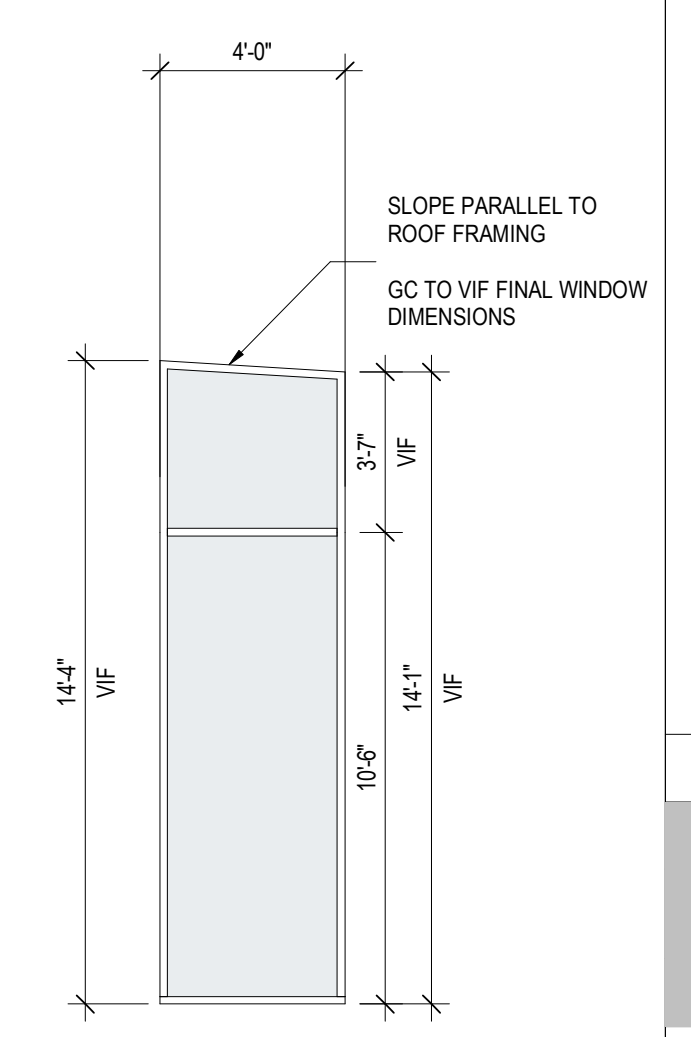
4 W-AE
SCALE: 1/4" = 1'-0"



3 W-AD
SCALE: 1/4" = 1'-0"



2 W-AC
SCALE: 1/4" = 1'-0"



1 W-AB
SCALE: 1/4" = 1'-0"