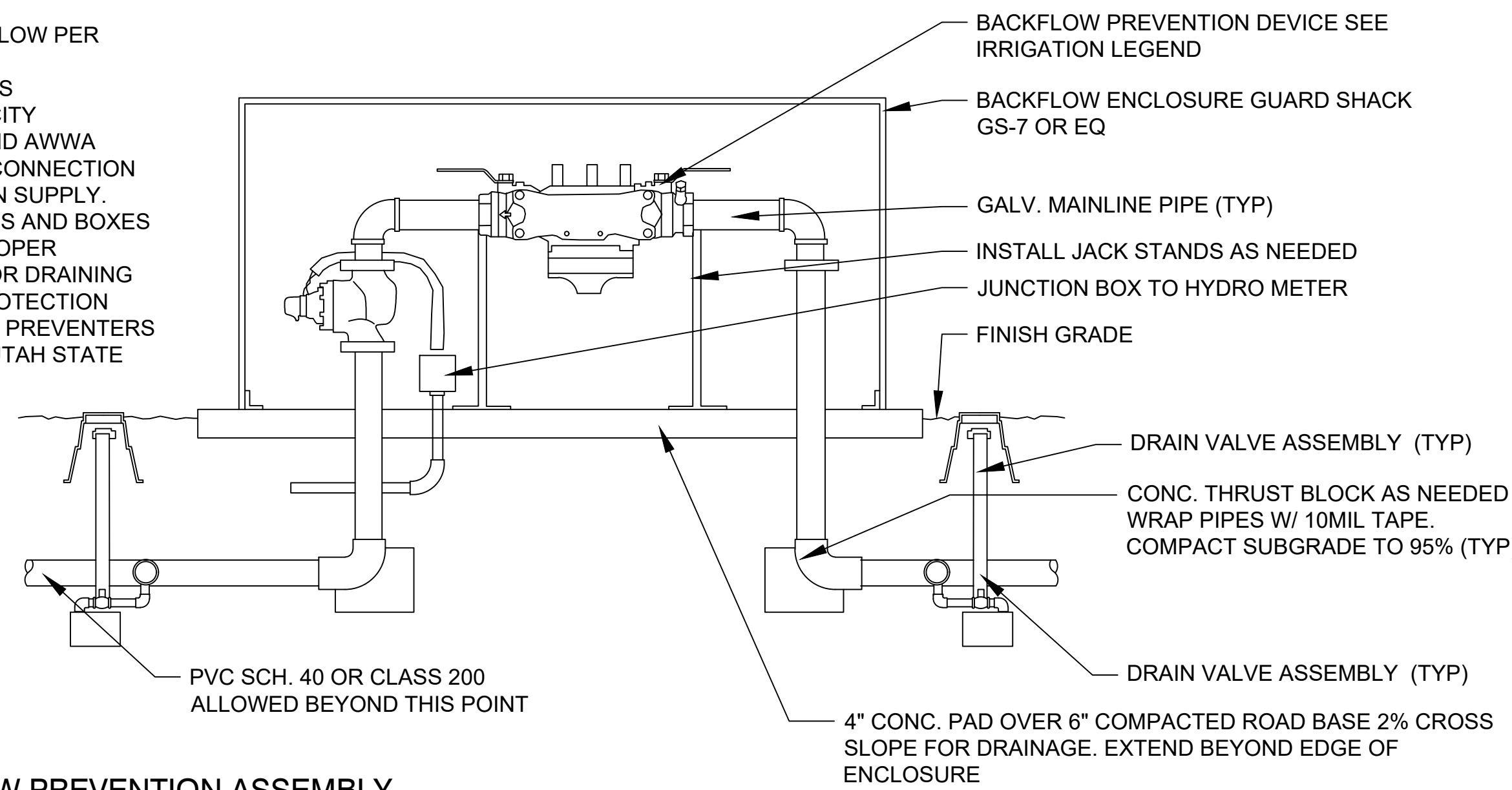
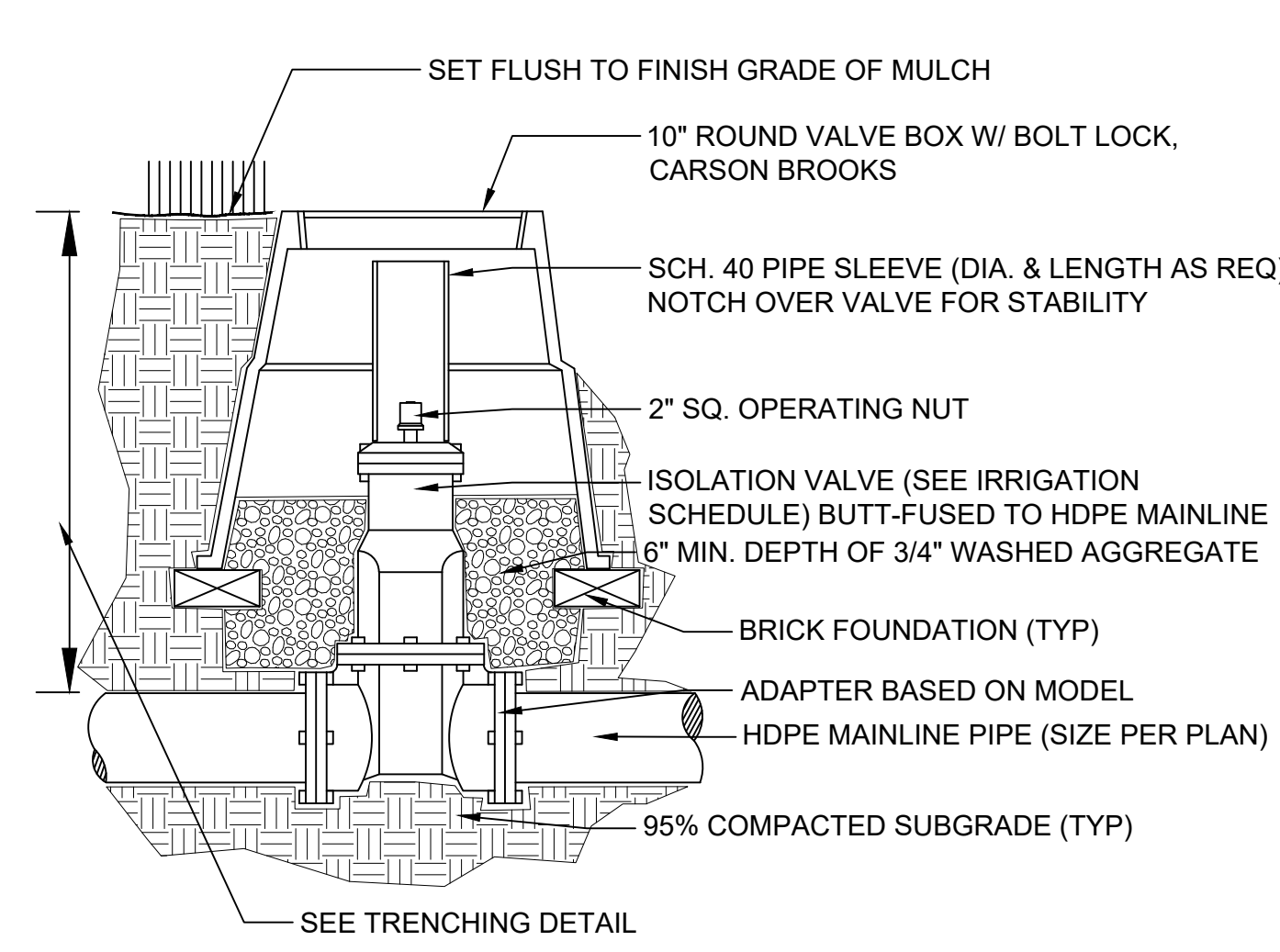


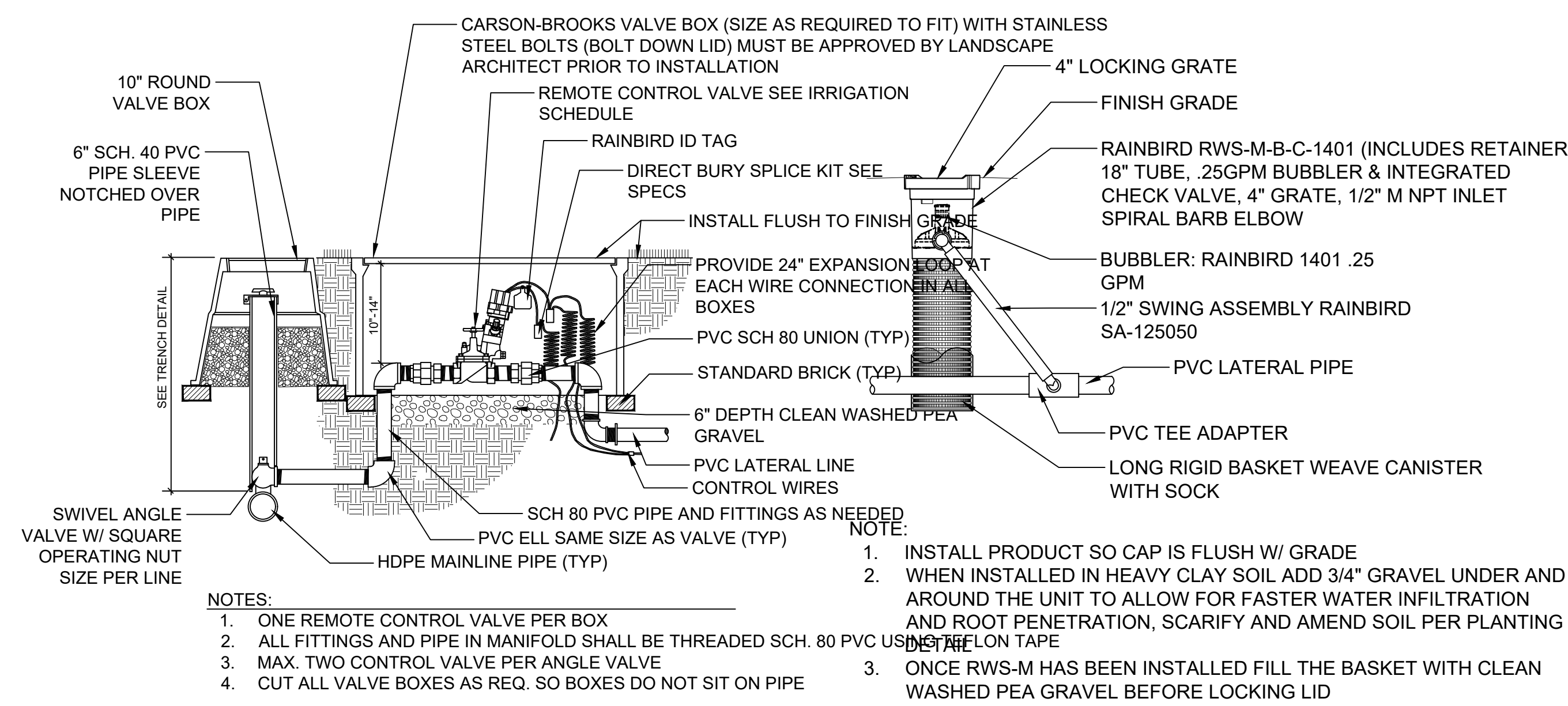
- NOTE:
1. INSTALL BACKFLOW PER MANUFACTURE SPECIFICATIONS
 2. CONFORM TO CITY STANDARDS AND AWWA CODES WHEN CONNECTION TO WATER MAIN SUPPLY
 3. ALL STANDPIPES AND BOXES MUST HAVE PROPER PROVISIONS FOR DRAINING AND FROST PROTECTION
 4. ALL BACKFLOW PREVENTERS ARE TO MEET UTAH STATE CODES.



1 BACKFLOW PREVENTION ASSEMBLY

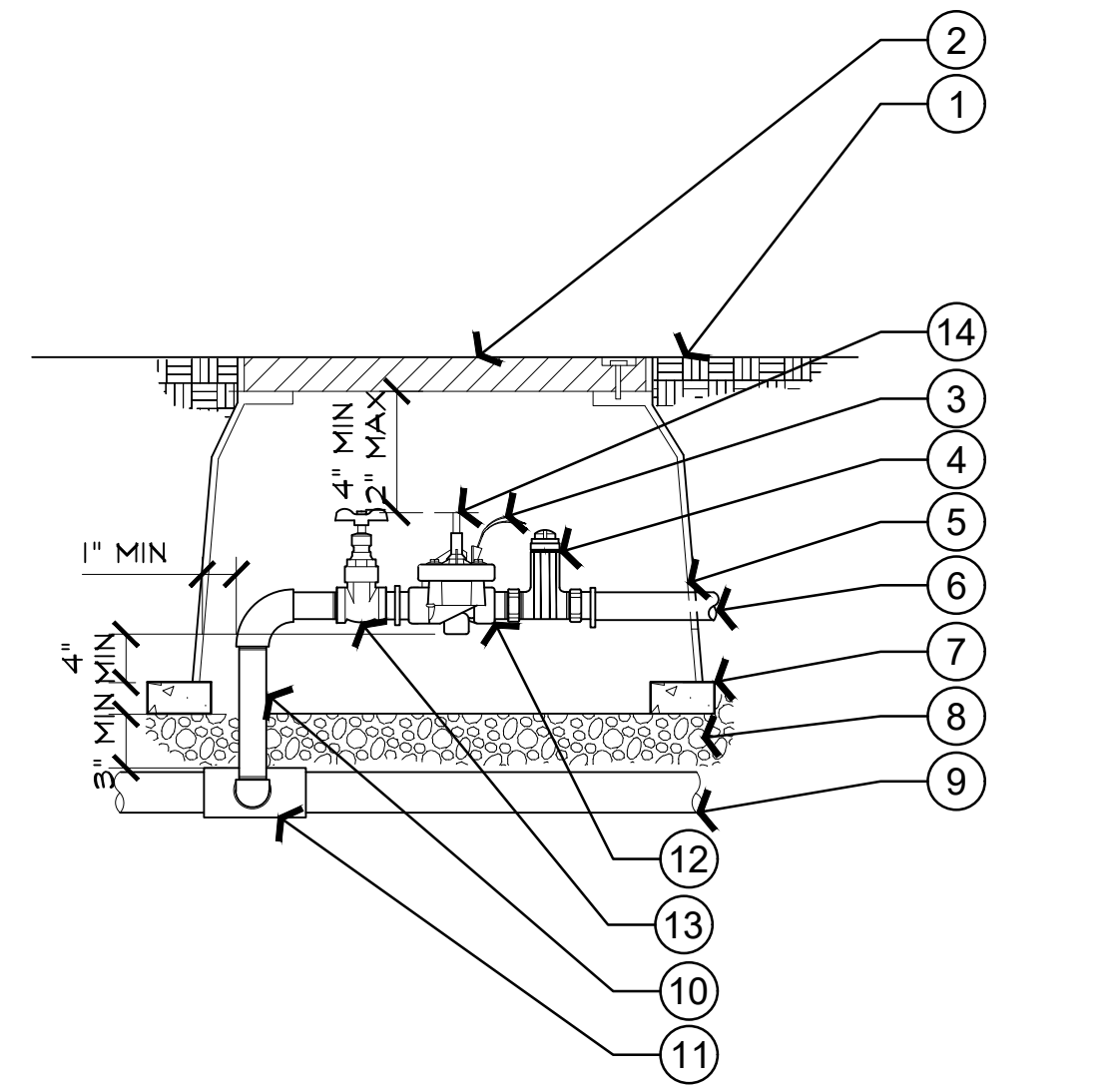


2 GATE VALVE

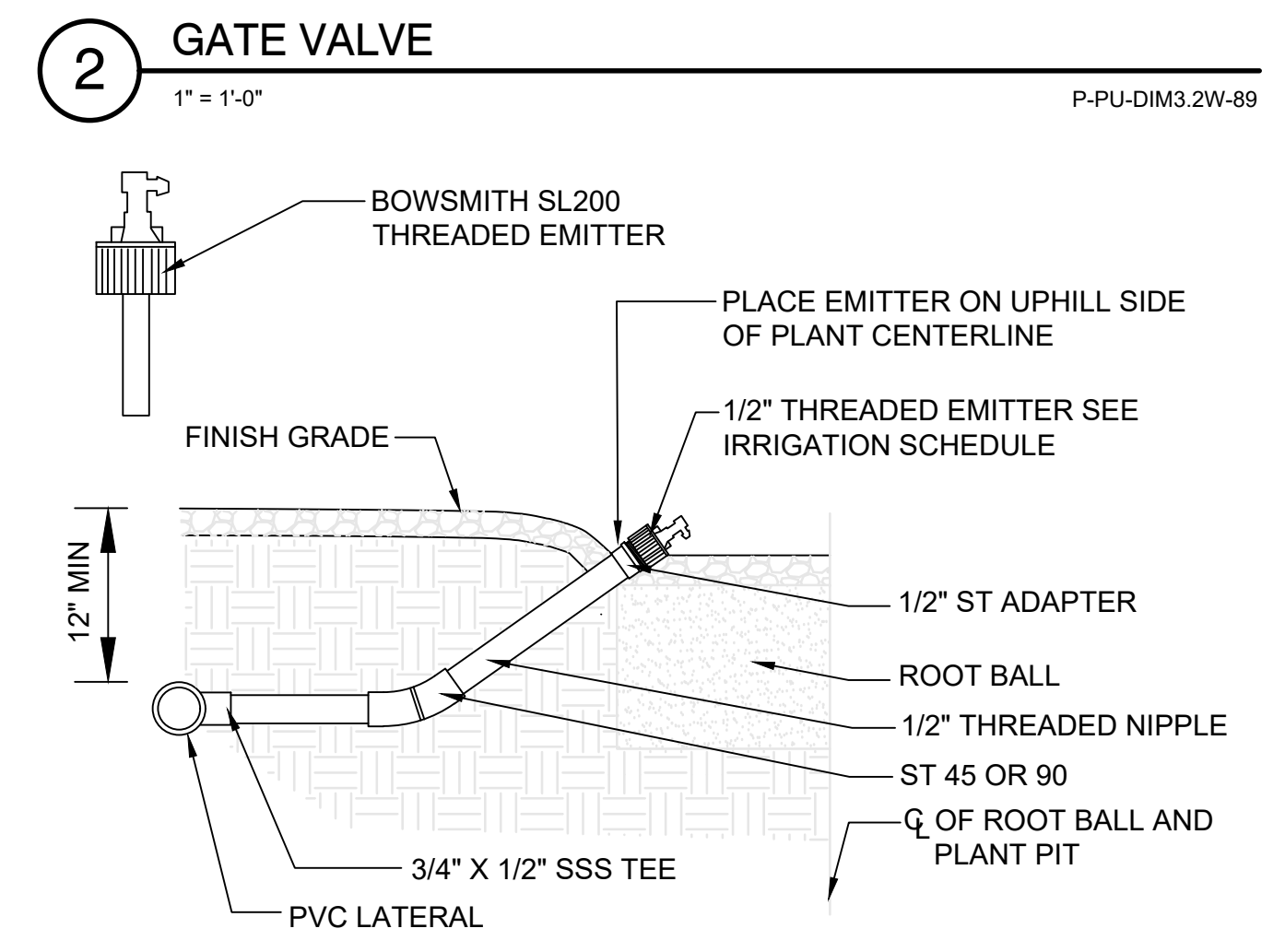


3 REMOTE CONTROL VALVE

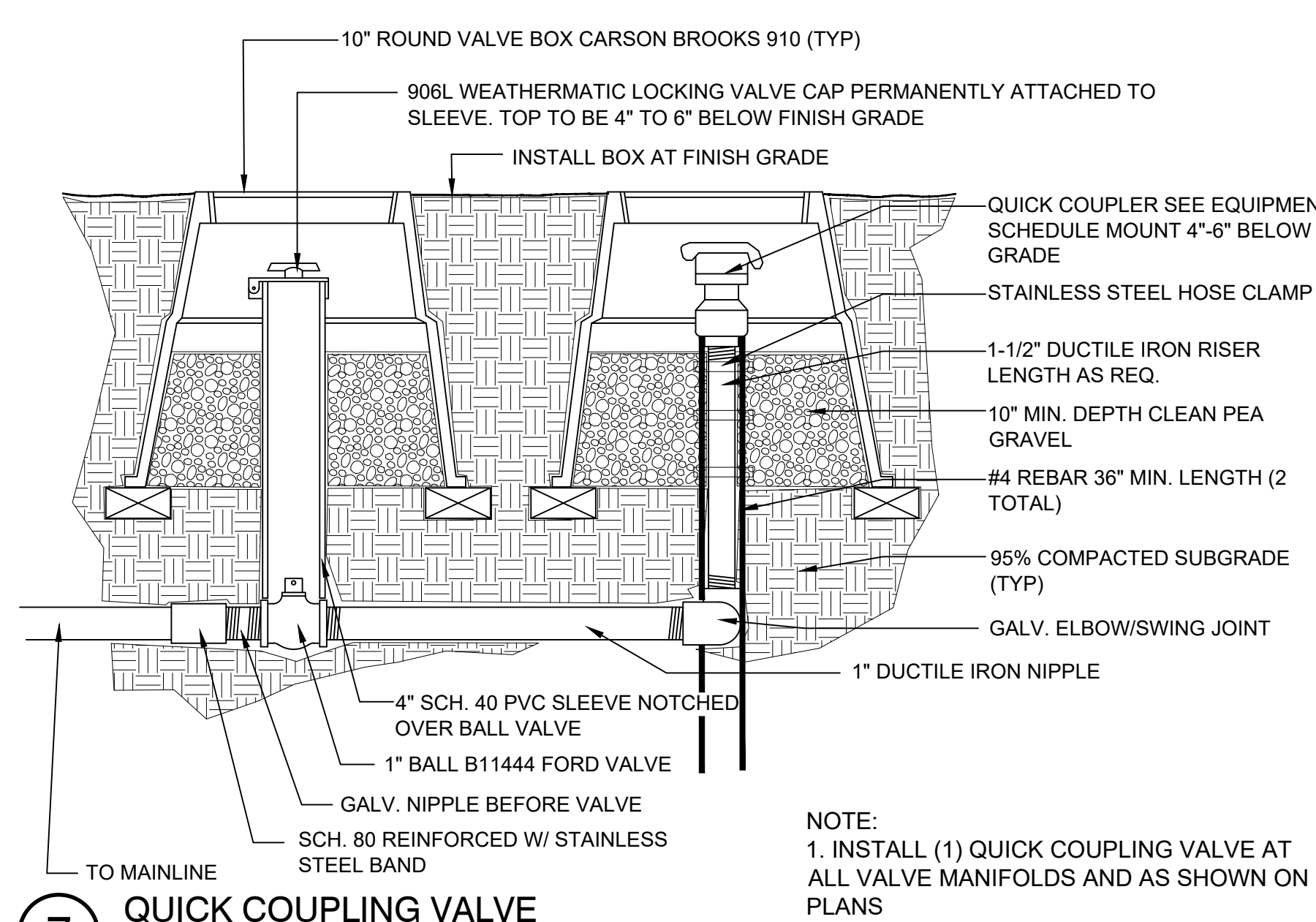
4 ROOT WATER SYSTEM



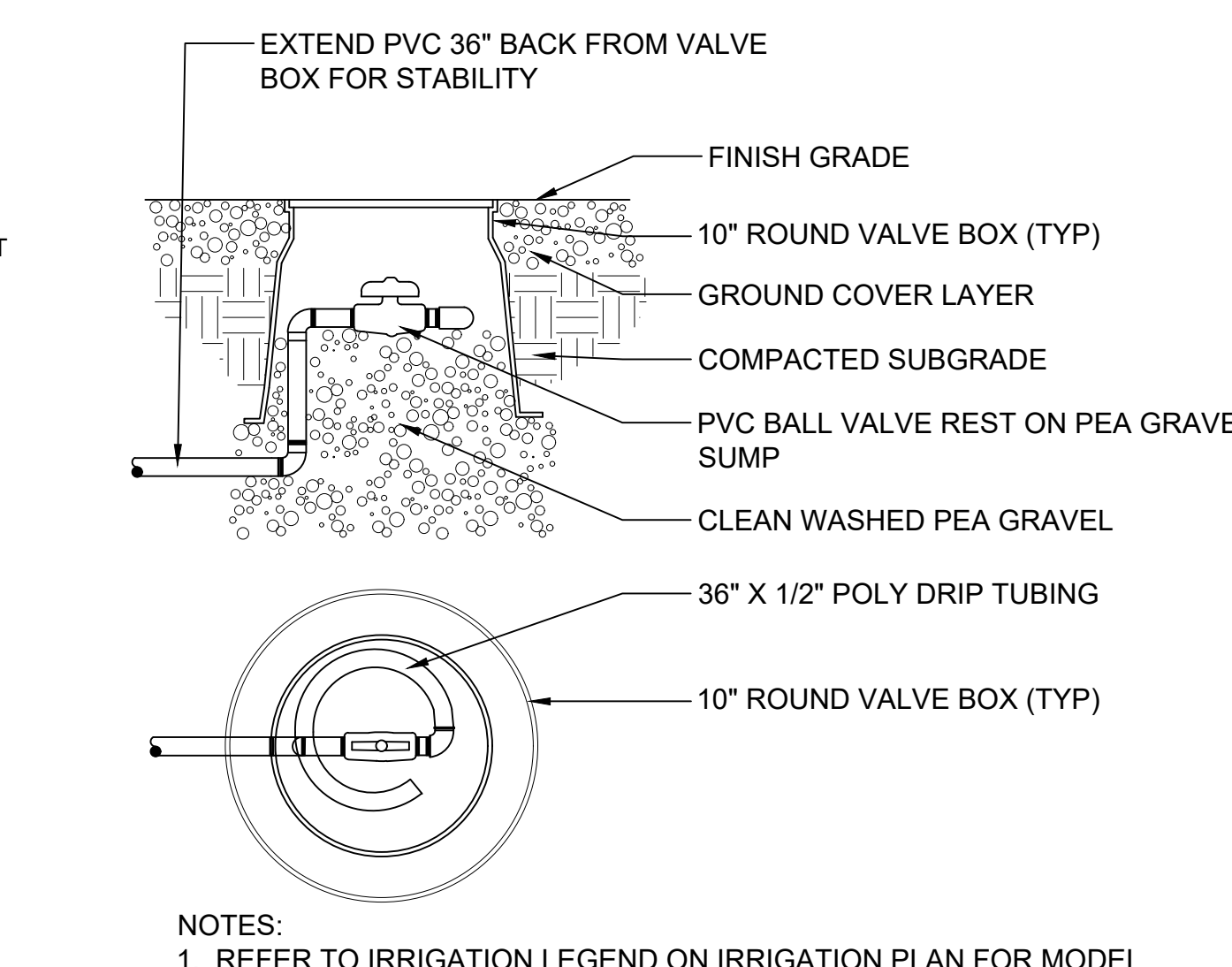
5 DRIP VALVE CONTROL ZONE KIT



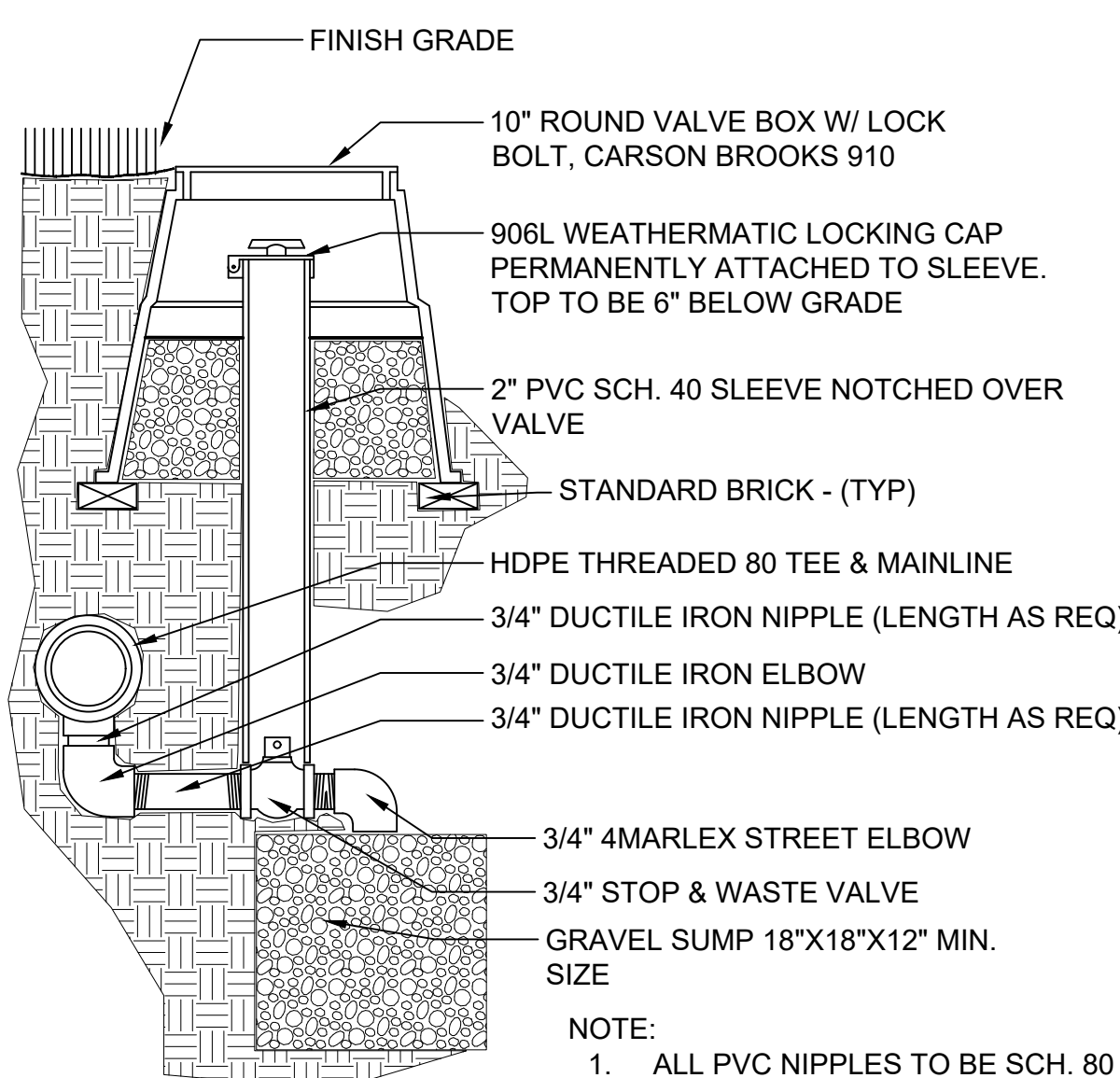
6 SHRUB EMITTER DETAIL



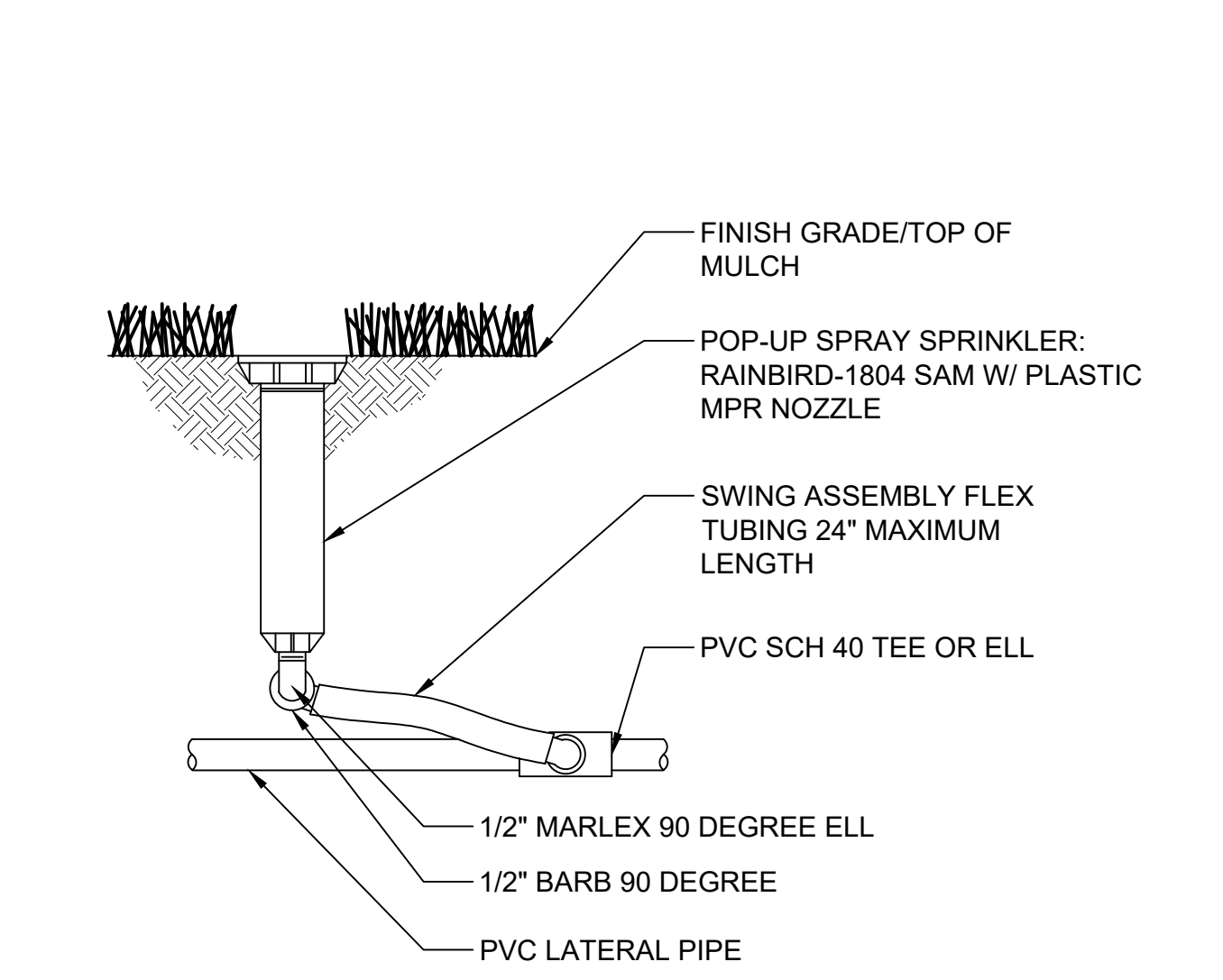
7 QUICK COUPLING VALVE



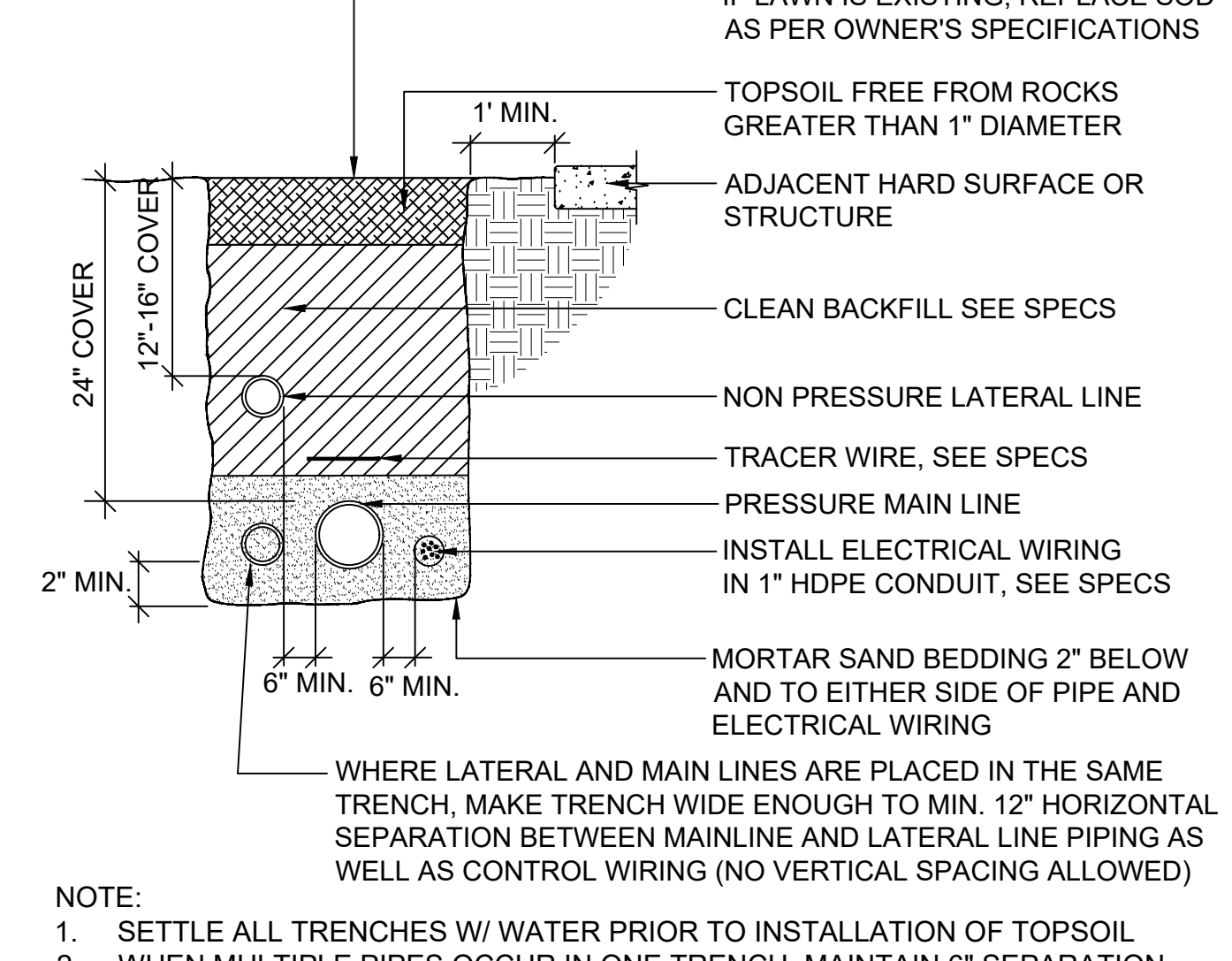
8 FLUSH CAP



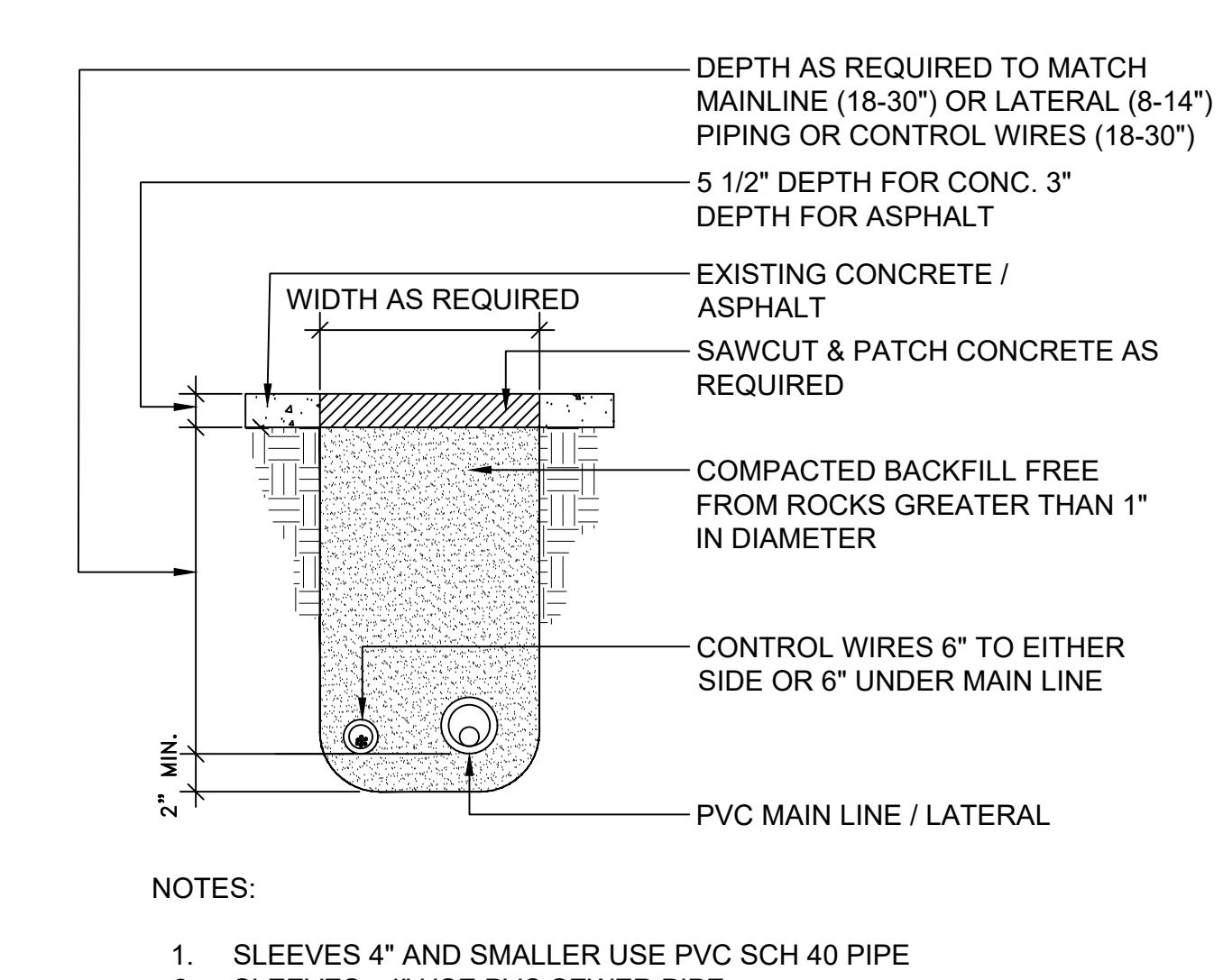
9 MANUAL DRAIN VALVE



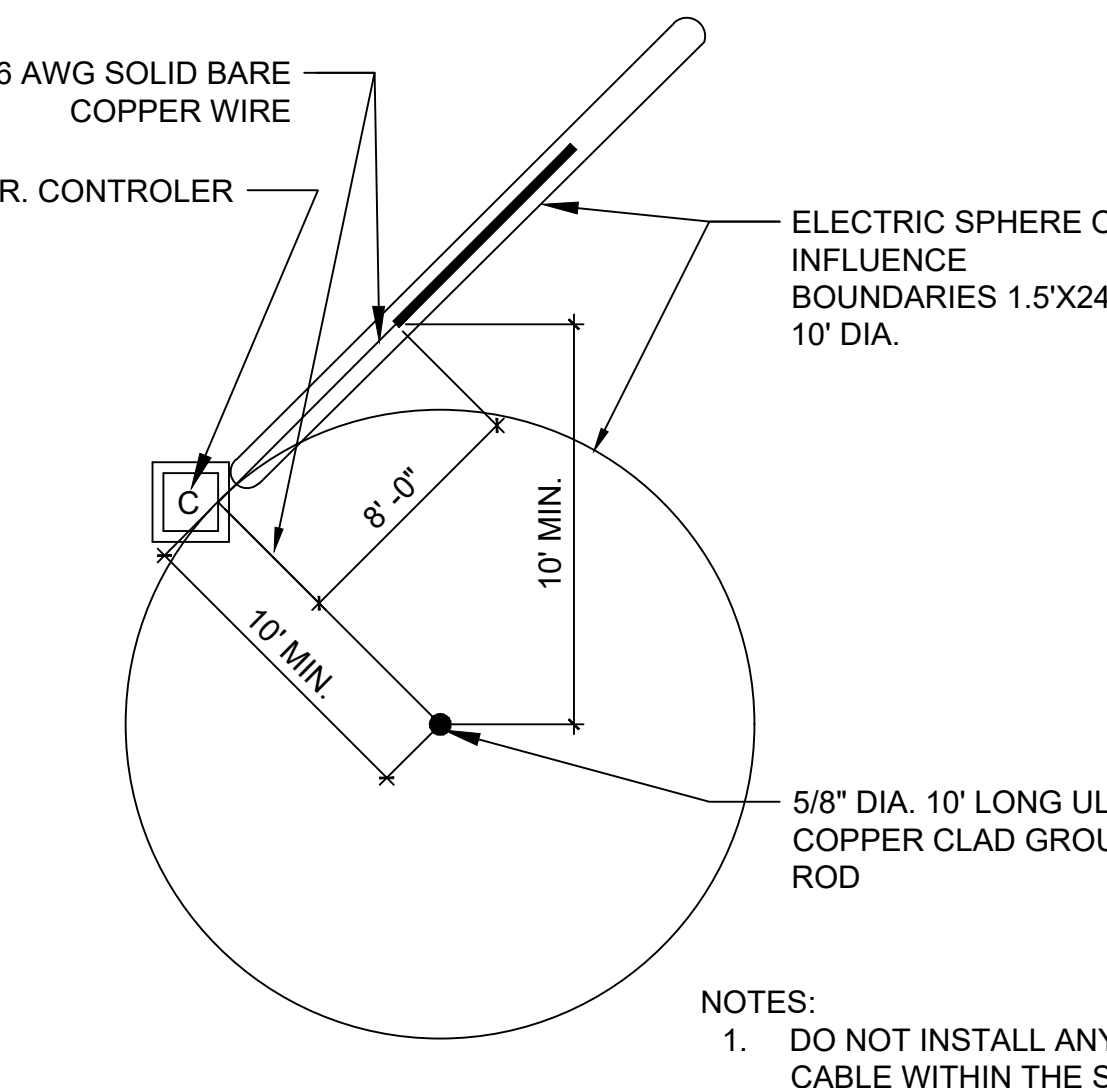
10 POP UP SPRINKLER



11 TRENCH DETAIL



12 SLEEVING DETAIL



13 GROUNDING ROD & PLATE

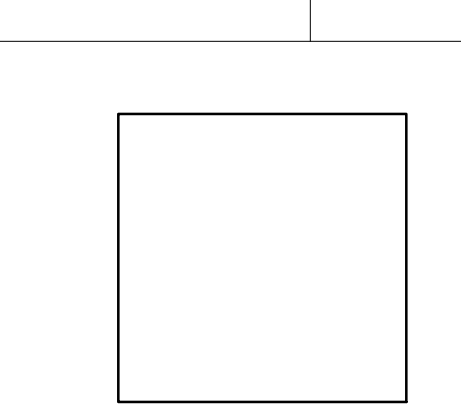


8/2/2024

Reserved for permit stamp

158 South Jackson St, Suite 600
Seattle, Washington 98104 USA
+1 206 467 0075
+1 206 467 0076

Olson Kundig
PROJECT: SOMMET BLANC RESIDENCE 1
ADDRESS: PARK CITY, UT



White Summit Development, LLC
PO Box 980022
Park City, Utah 84098

Acoustic Consultant
BRC Acoustics
1932 1st Ave, Suite 620
Seattle, WA 98101

Pool Consultant
Cloward 100
2096 N University Ave, Suite 290
Provo, UT 84604

Landscape Architect
EPG Design
6948 South High Tech Drive, Suite 100
Midvale, Utah 84047

Specifications Writer
Friday Group
88 Mainell Road
Middlebury, VT

Code Consultant
Holmes
600 1st Avenue, Suite 200A
Seattle, WA 98104

Fire Protection Engineer
Jensen Hughes
One Research Drive, Suite 305C
Westborough, MA 01581

Vertical Transportation Consultant
Lorch Bates
15515 North Creek Parkway, Suite 304
Bothell, WA 98011

Structural Engineer
Magnusson Klemencic Associates
1301 5th Ave, Suite 3200
Seattle, WA 98101

Lighting Designer
C
1319 SE MLK Blvd, Suite 210
Portland, Oregon 97219

Building Envelope Consultant
RDH
2101 N 34th St
Seattle, WA 98103

Accessibility Consultant
Studio Pacifica
2144 Westlake Ave N, Suite F
Seattle, WA 98109

MEP Engineer
WSP USA
1001 Fourth Ave, Suite 3100
Seattle, WA 98154

principal architect: David Herli
project manager: Grant Hardy
drawn by: Grant Hardy

checked by: Michael Park
job no. 20552
date June 10, 2024

revisions:
IFC 2 5/17/2024
WU Updates 7/29/2024

no. date by

PERMIT SET
IFC SET 2 OF 3

June 10, 2024

DISCLAIMER:
THE RECORDS SHOWN AND DESCRIBED HEREIN INCLUDING ALL TECHNICAL DRAWINGS, GRAPHIC REPRESENTATIONS, AND MODELS THEREOF ARE PROPRIETARY AND CAN NOT BE COPIED, REPRODUCED, OR COMMERCIALY EXPLOITED IN WHOLE OR IN PART WITHOUT THE SOLE AND EXPRESS WRITTEN PERMISSION FROM ENVIRONMENTAL PLANNING GROUP GROUP (EPG).
ENVIRONMENTAL PLANNING GROUP GROUP (EPG) PROVIDED QUANTITIES ARE CALCULATED BASED ON THE 3D MODEL PROVIDED. CONTRACTORS ARE RESPONSIBLE FOR REVIEWING THE DESIGN AND PROVIDING THEIR OWN CALCULATIONS AND AREAS FOR THE PURPOSES OF COST ESTIMATING RECORDS.
THE CLIENT AND/OR THE CLIENT'S CONTRACTOR IS RESPONSIBLE FOR OBTAINING OR PROVIDING THE NECESSARY CONSTRUCTION PERMIT FOR CITY CODE COMPLIANCE.

IRRIGATION DETAILS

L801